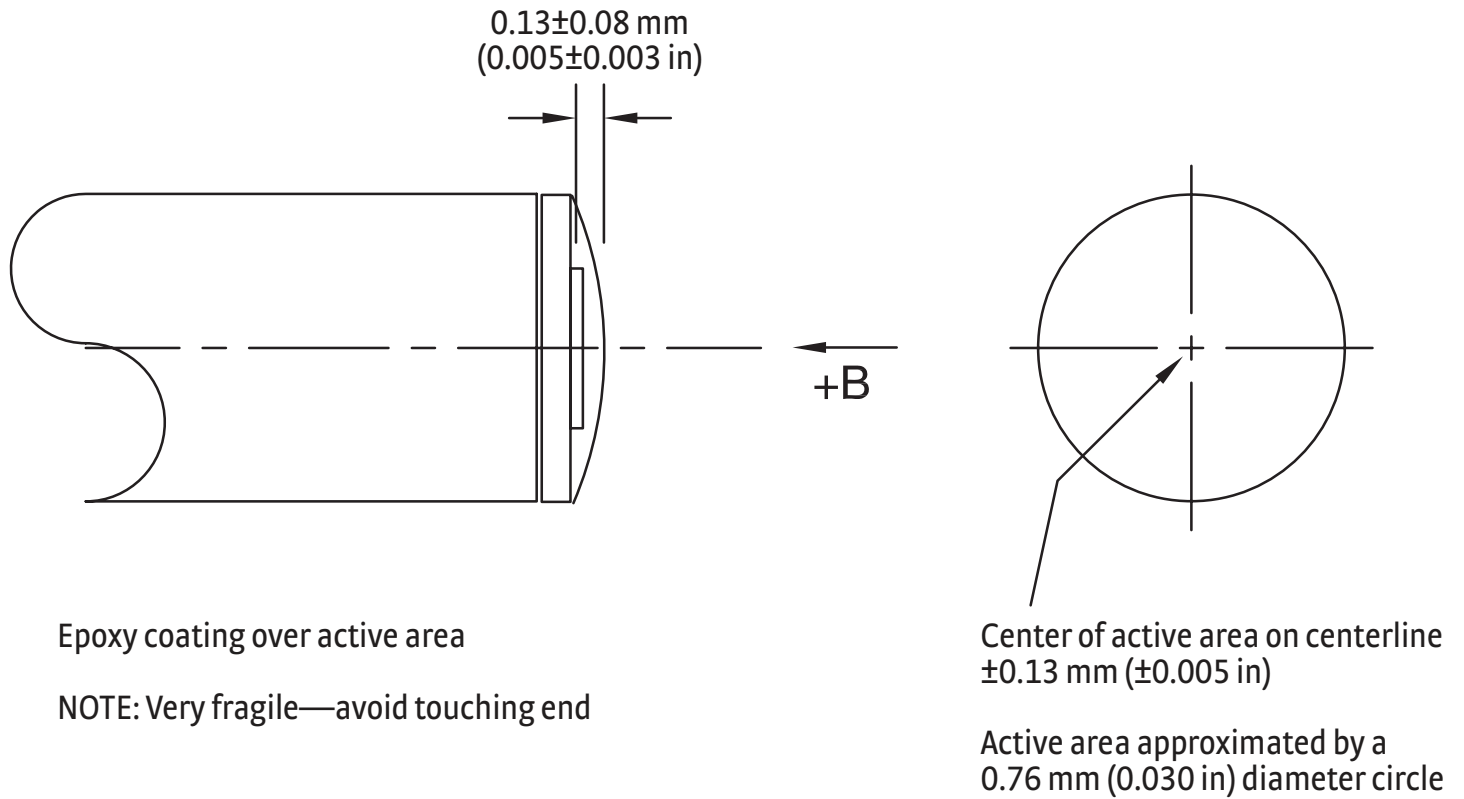
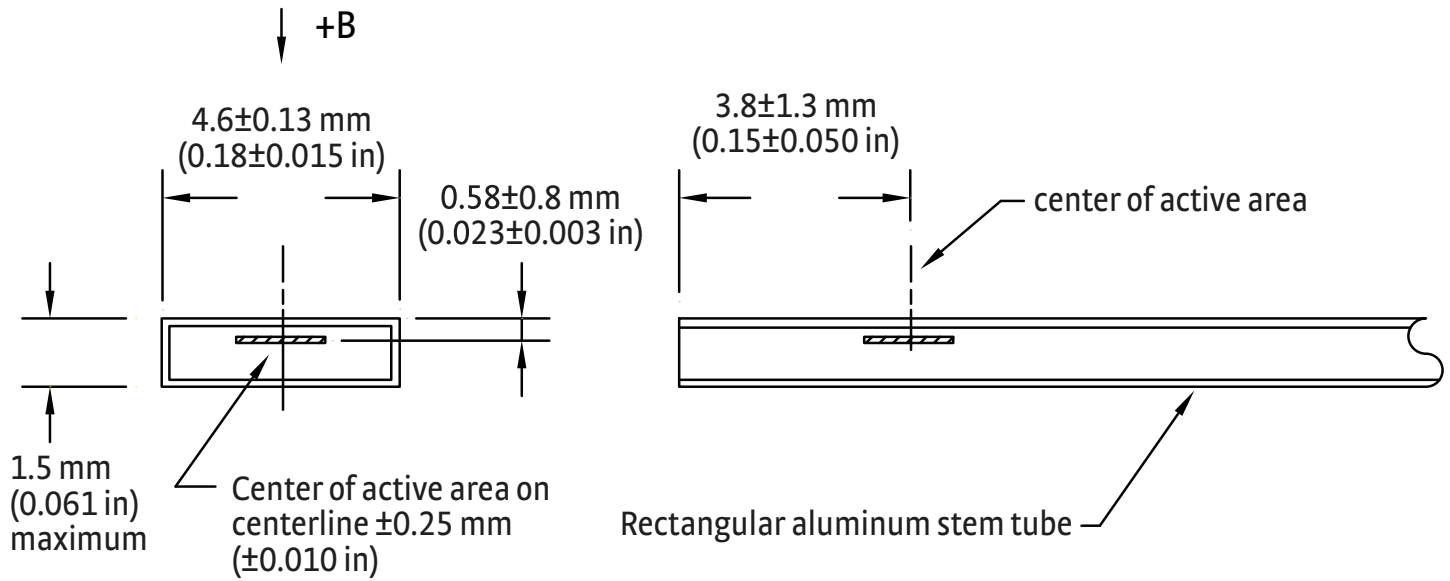


Active area: MNT/HMNT-4EXX

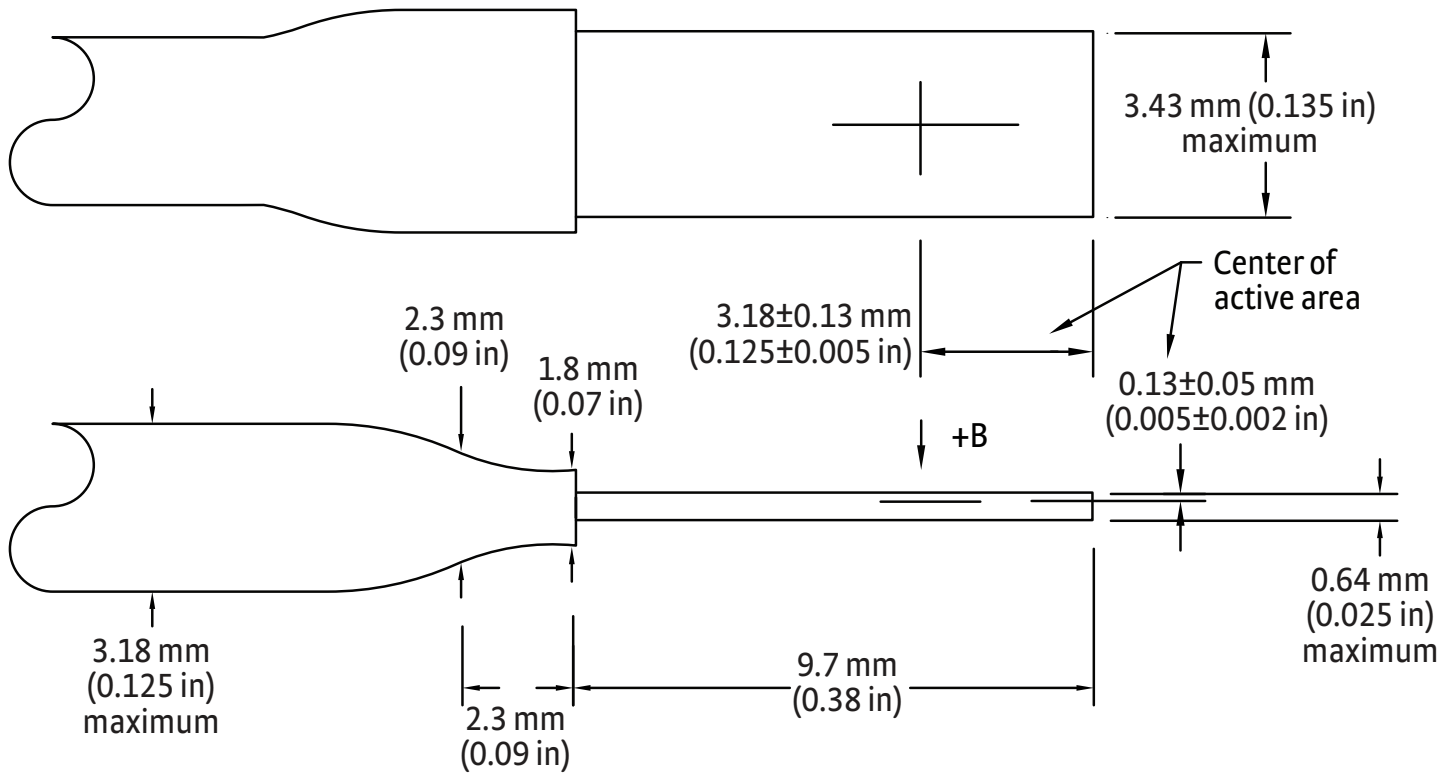


Active area: MNA/HMNA-19XX

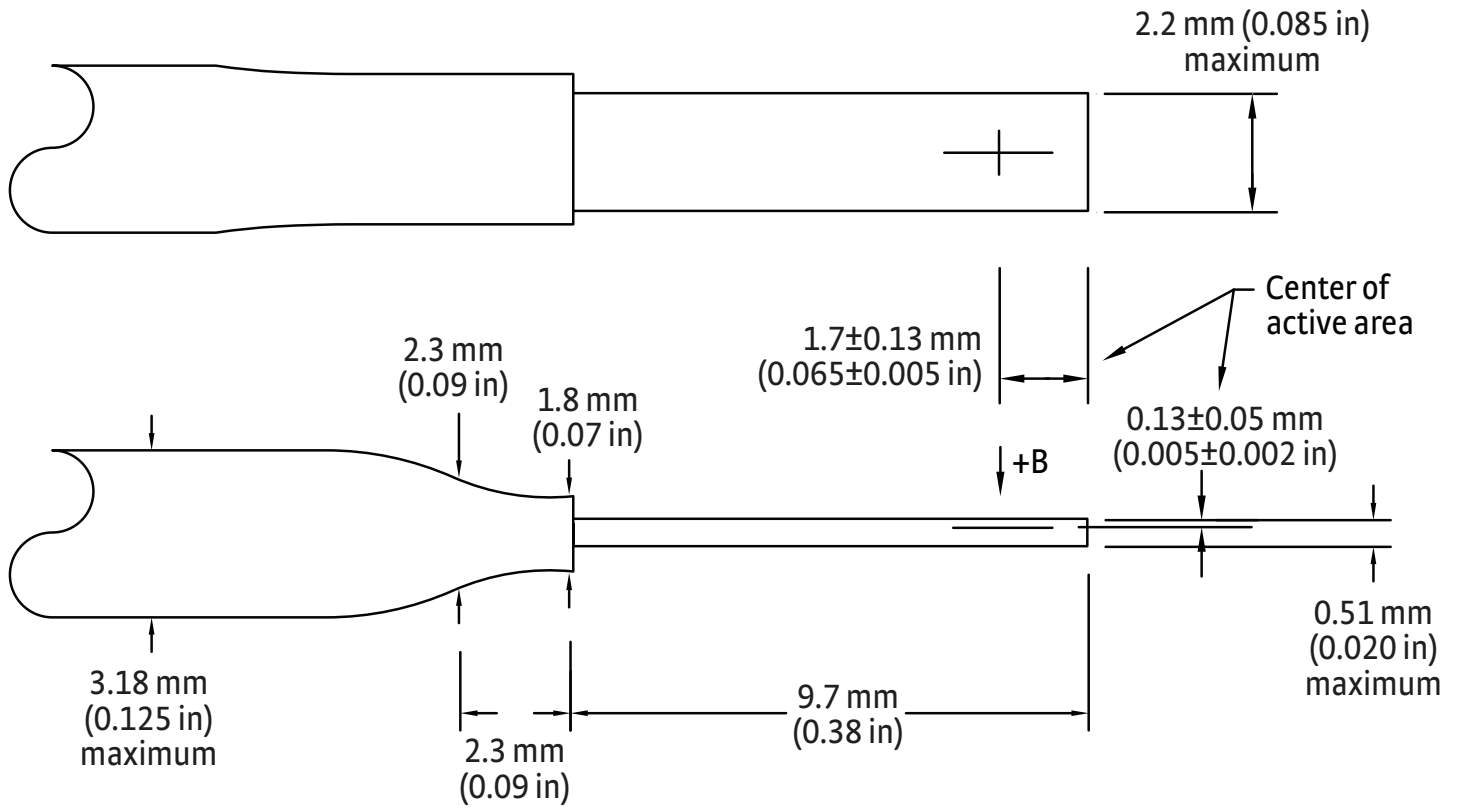


Maximum angle between active area
and external tube flat surface is 2.5°

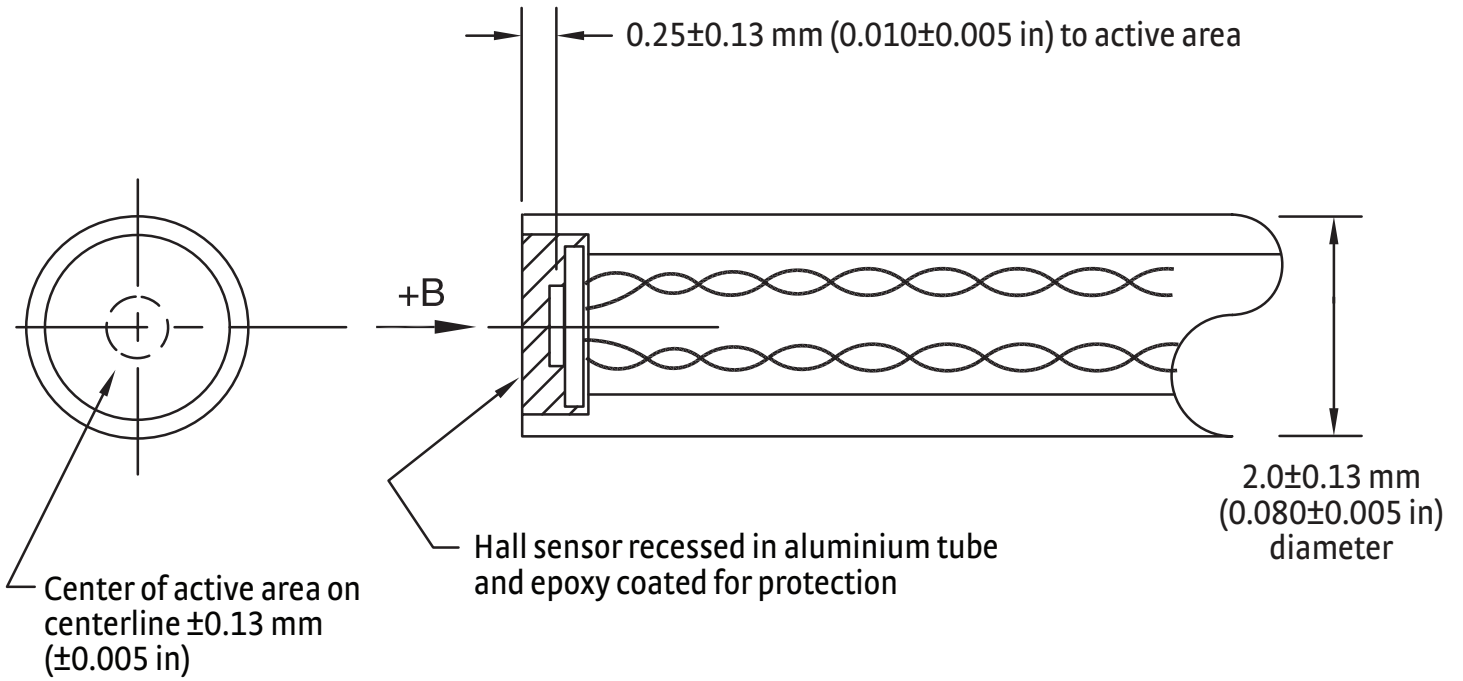
Active area: MMT/HMMT-6JXX



Active area: MFT/HMFT-2903

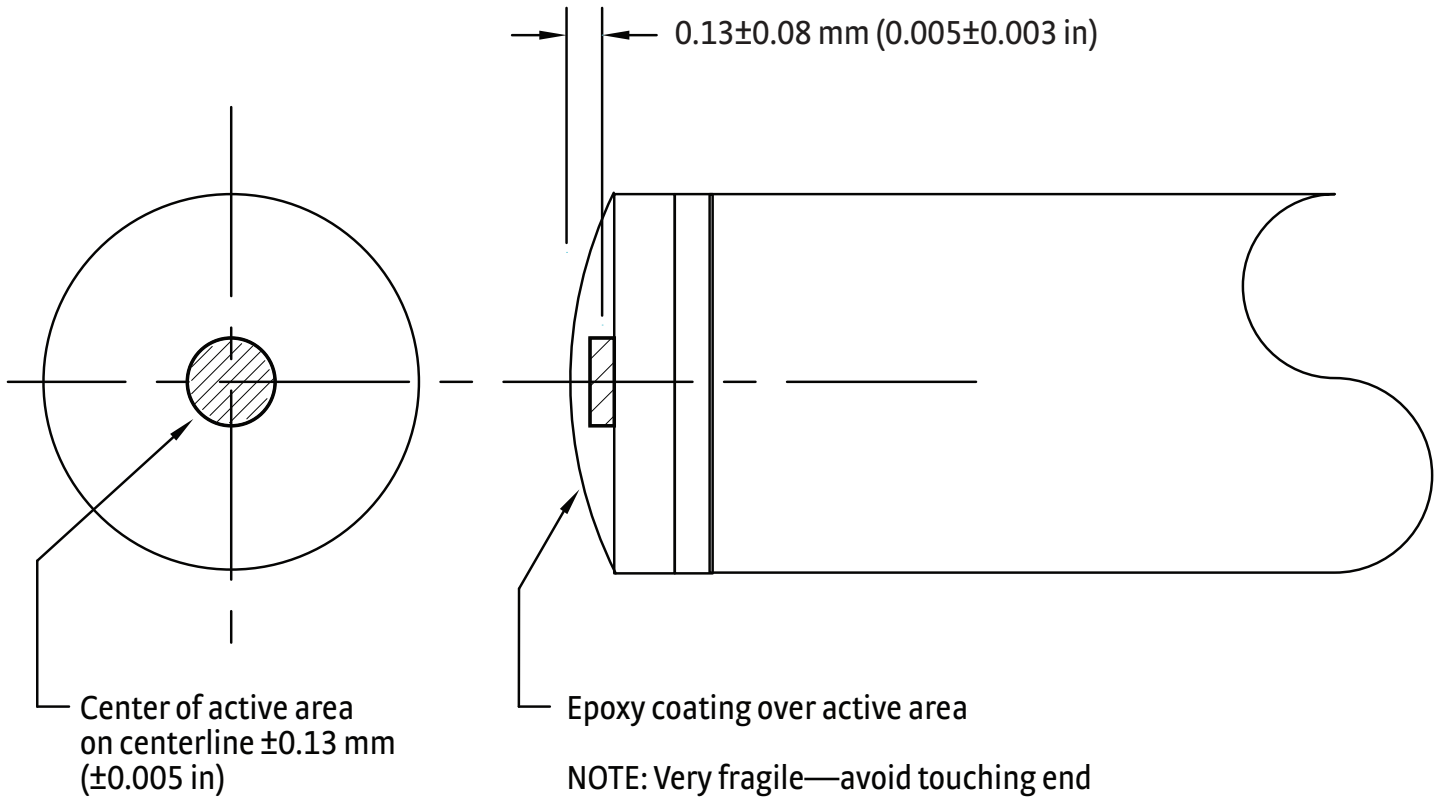


Active area: MFT/HMFT-2903

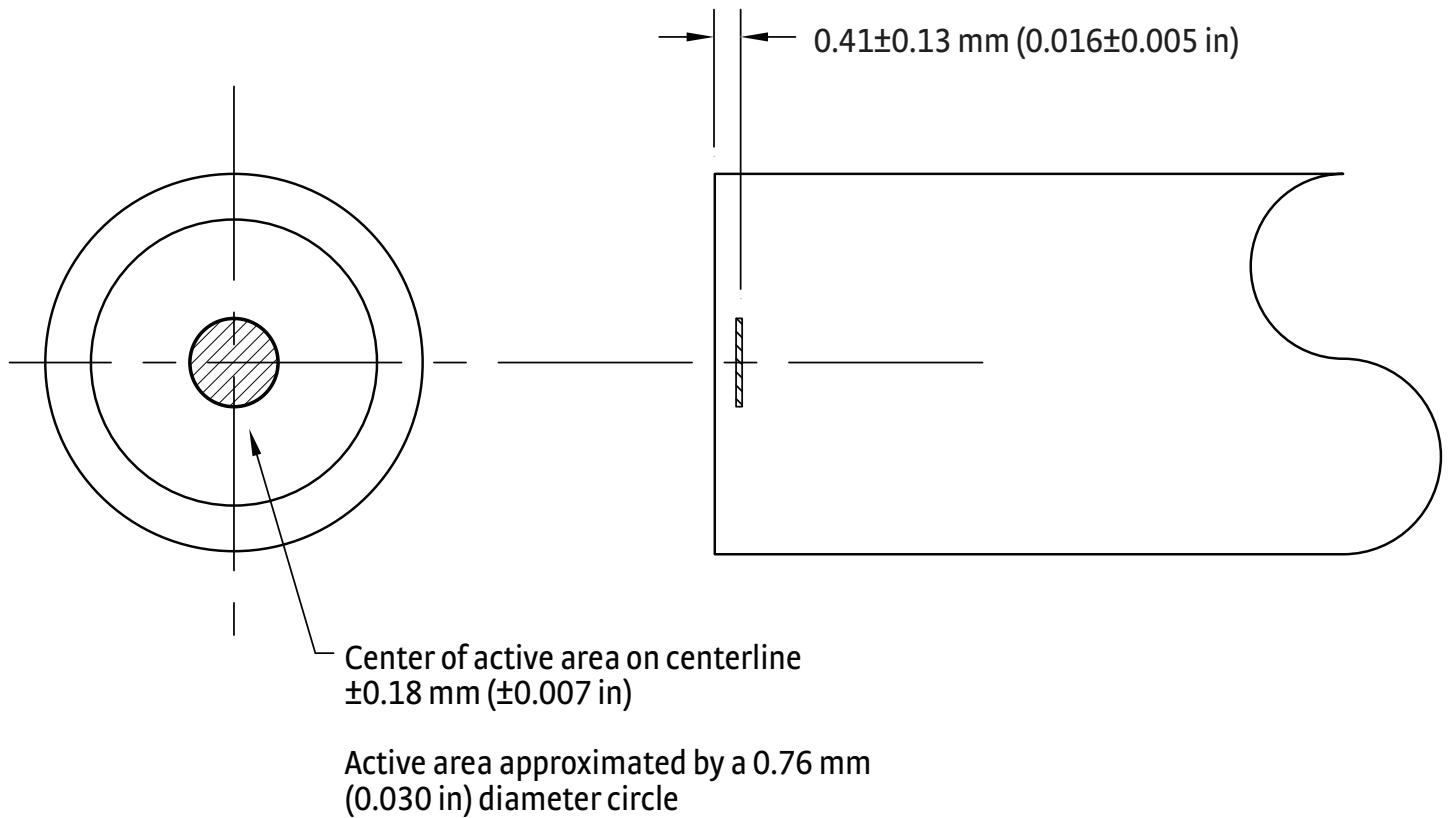


Active area approximated by a 0.51 mm (0.020 in) diameter circle

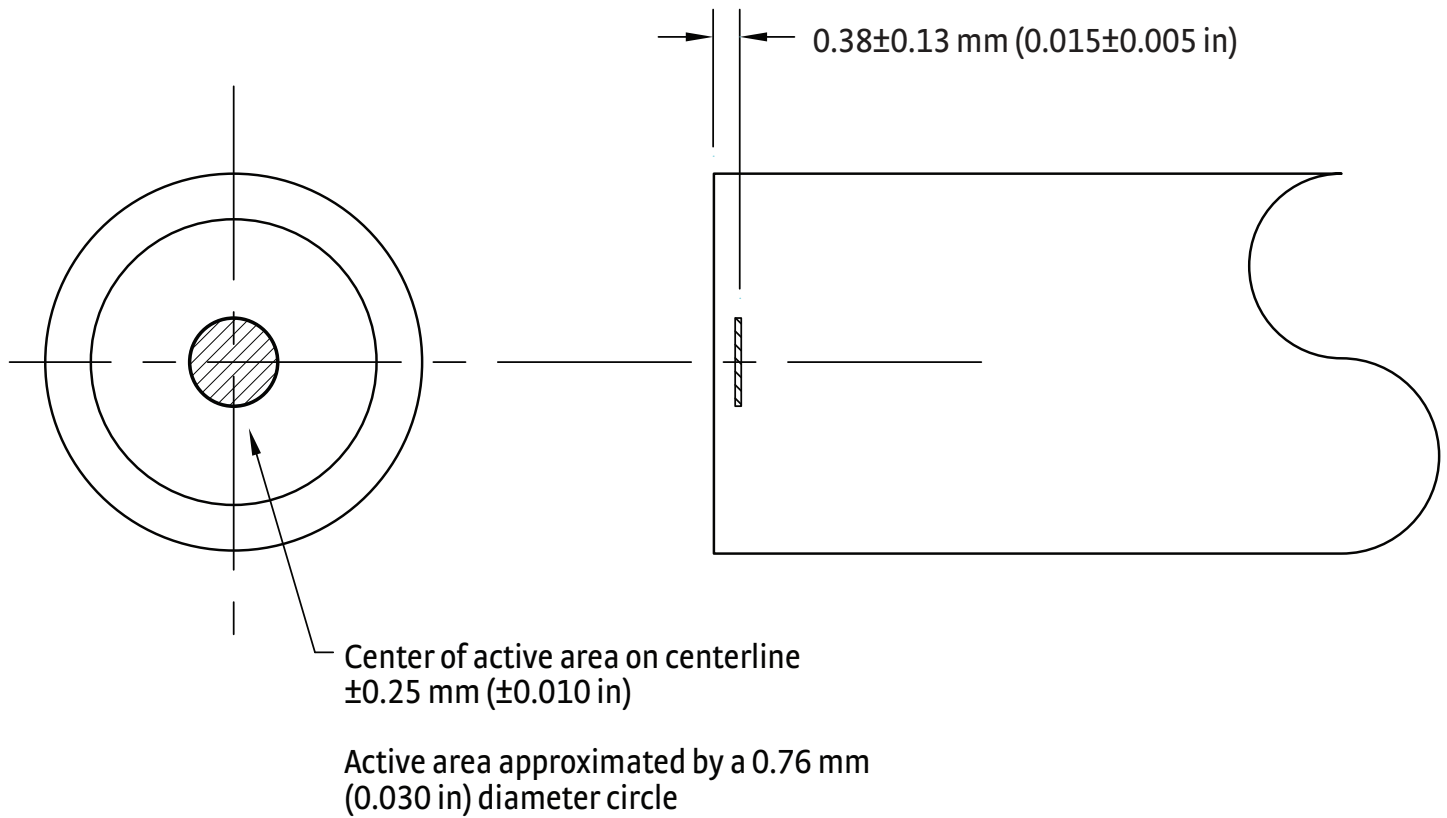
Active area: MMA/HMMA-08XX



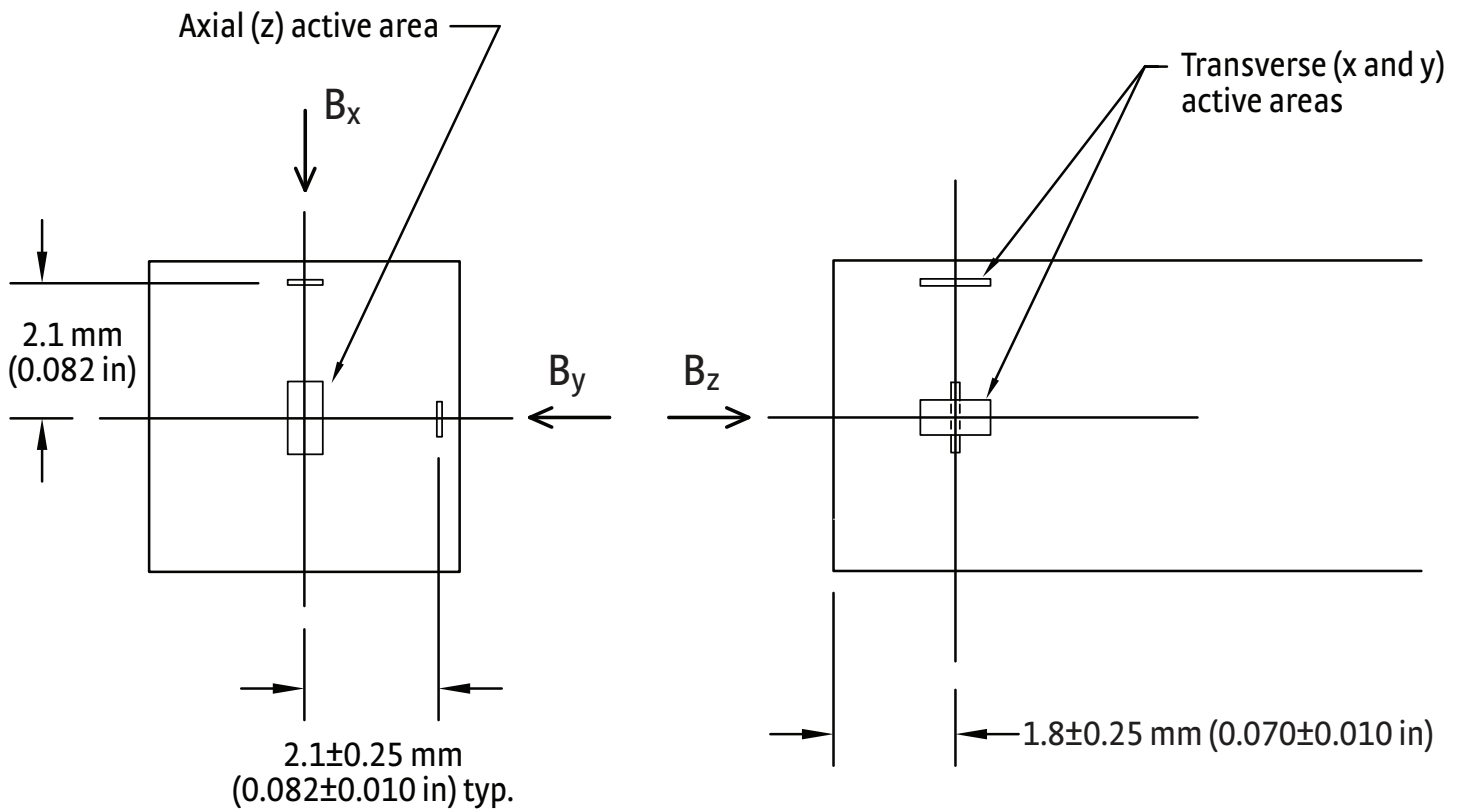
Active area: MMA/HMMA-06XX



Active area: MMA/HMMA-25XX



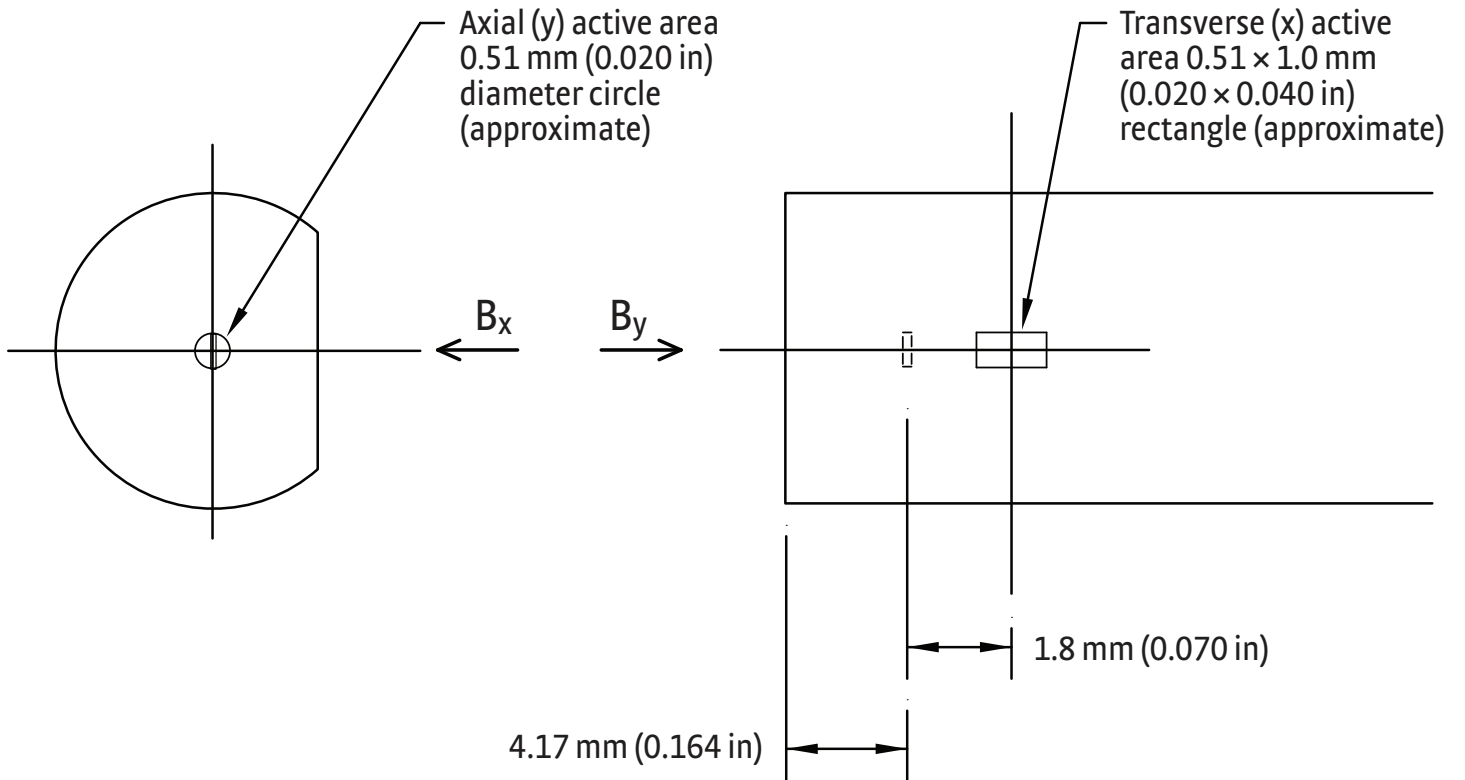
Active area: MMA/HMMA-18XX



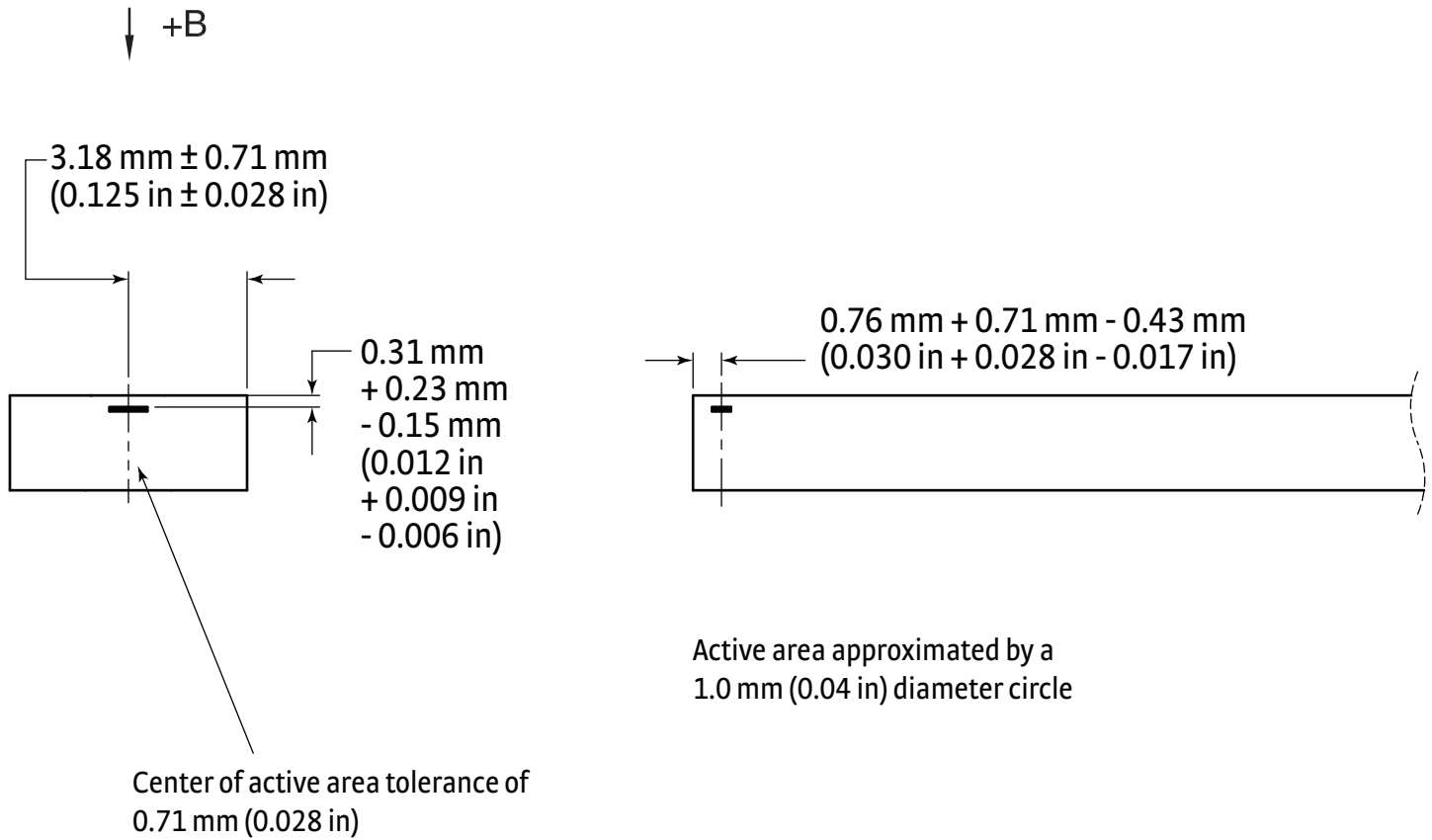
NOTE: All active areas are approximated by a 0.51×1.0 mm (0.020×0.040 in) rectangle.

Each active area is physically perpendicular to the other within $\pm 0.5^\circ$.

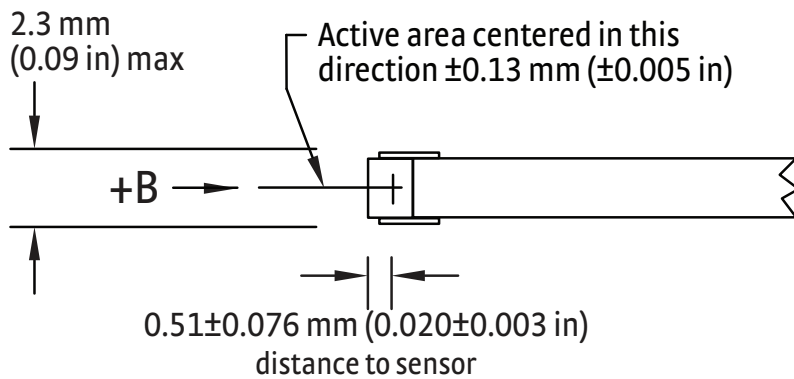
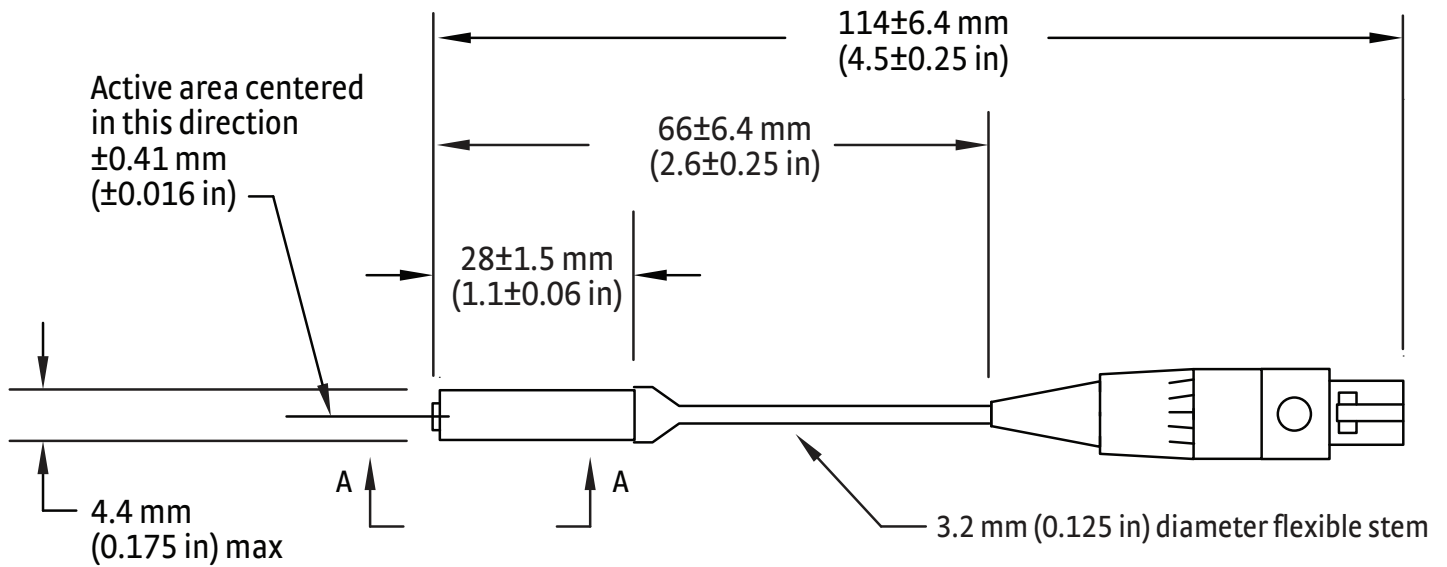
Active area: 3-axis



Active area: 2-axis

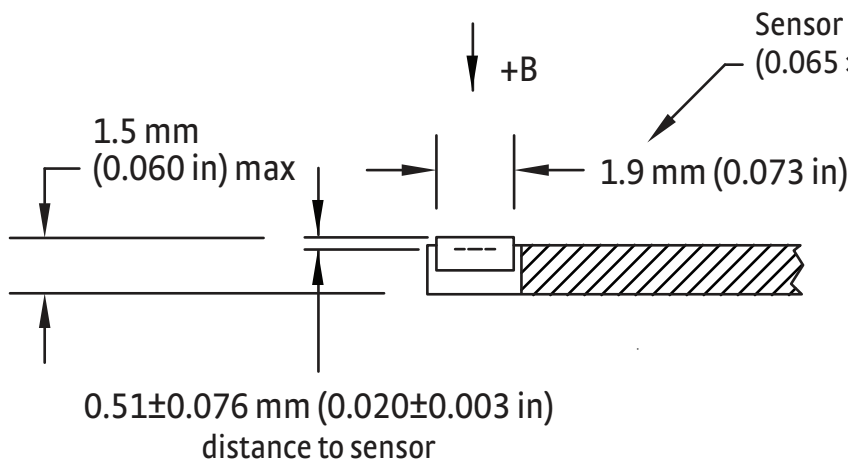
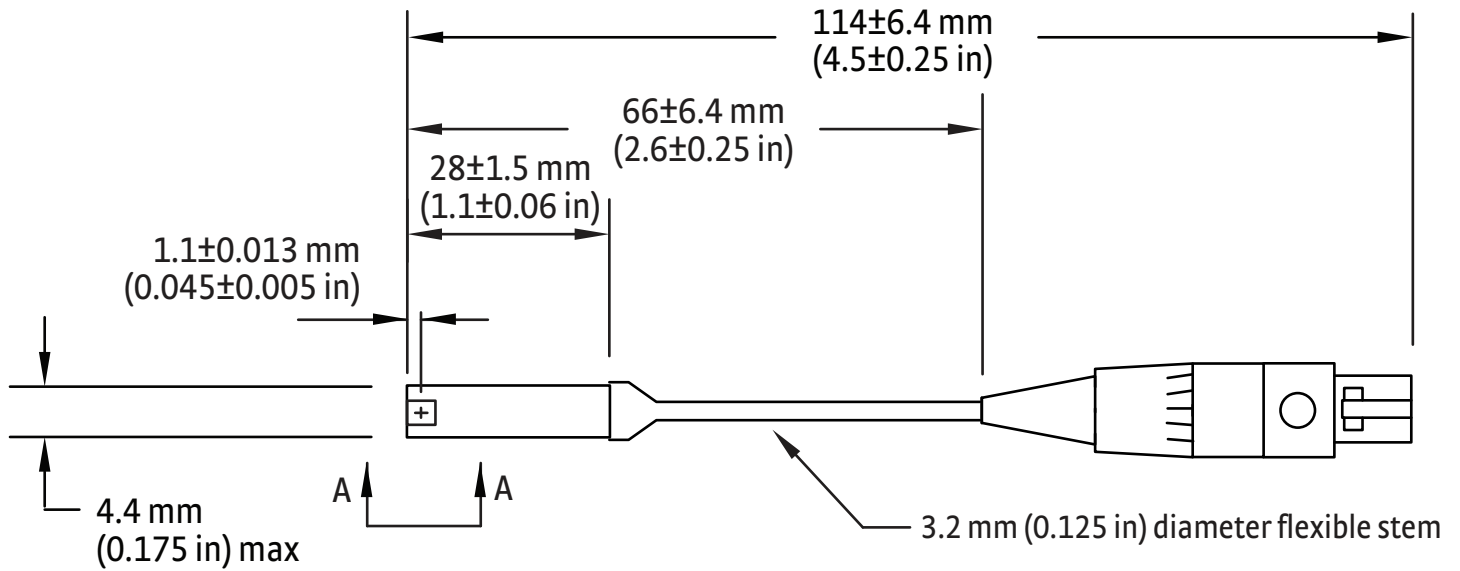


Active area: MNTAN-DQ02-TH



NOTE: Active area of sensor is approximately a 0.13×0.13 mm (0.005×0.005 in) square

Active area: MSA-410



NOTE: Active area of sensor is approximately a 0.13 × 0.13 mm (0.005 × 0.005 in) square

Active area: MST-410