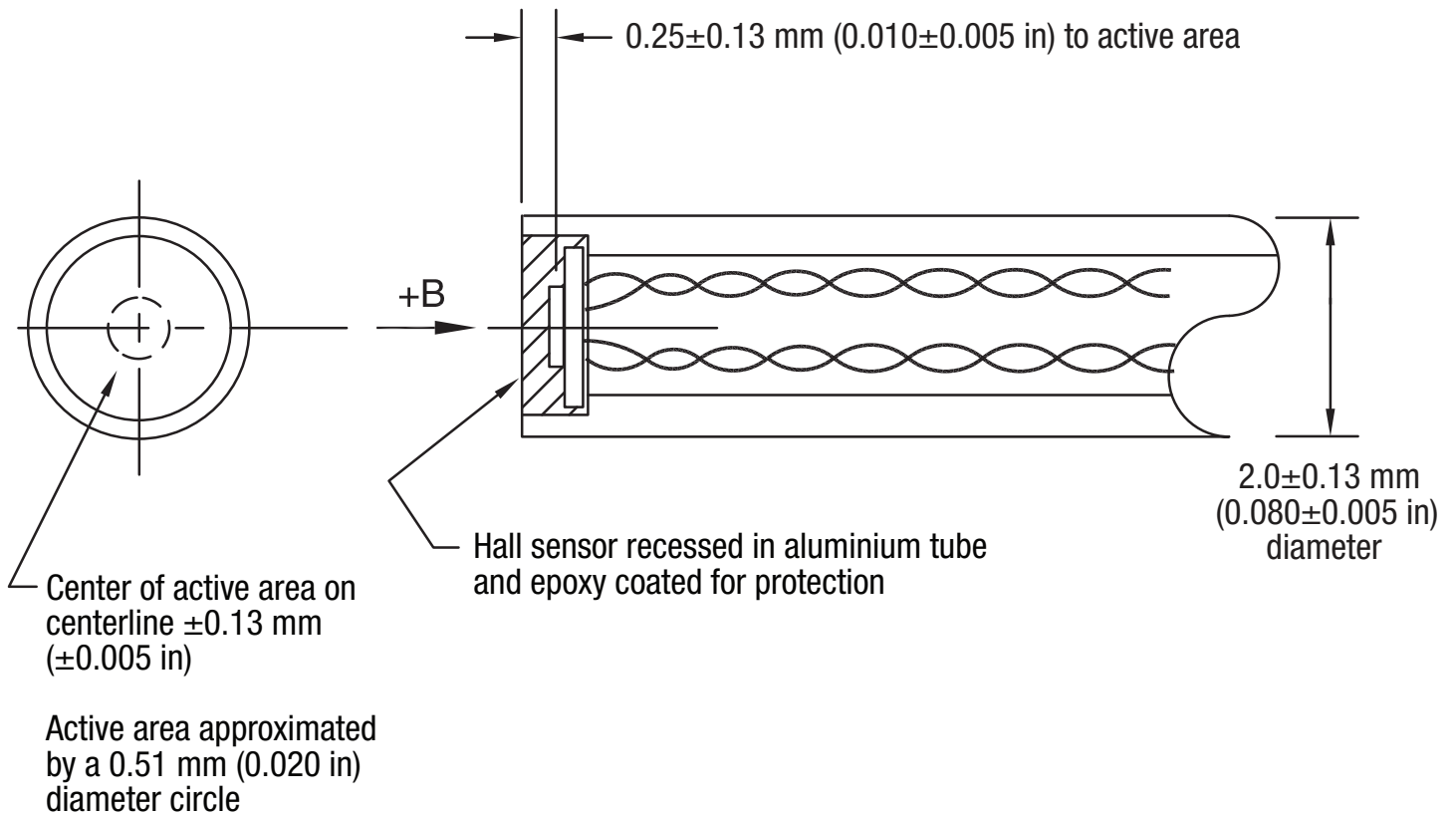
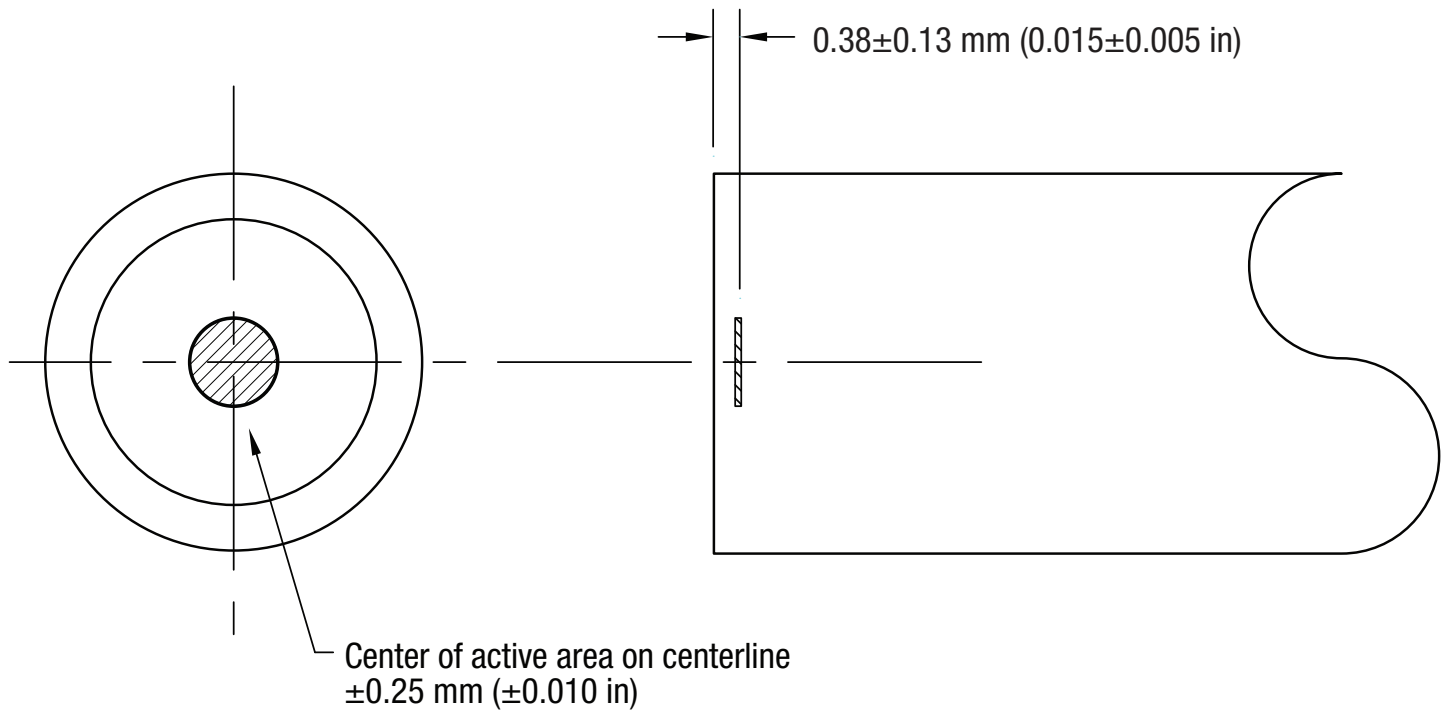


Active area approximated by a 0.51 mm (0.020 in) diameter circle

Active area: MMA/HMMA-06XX

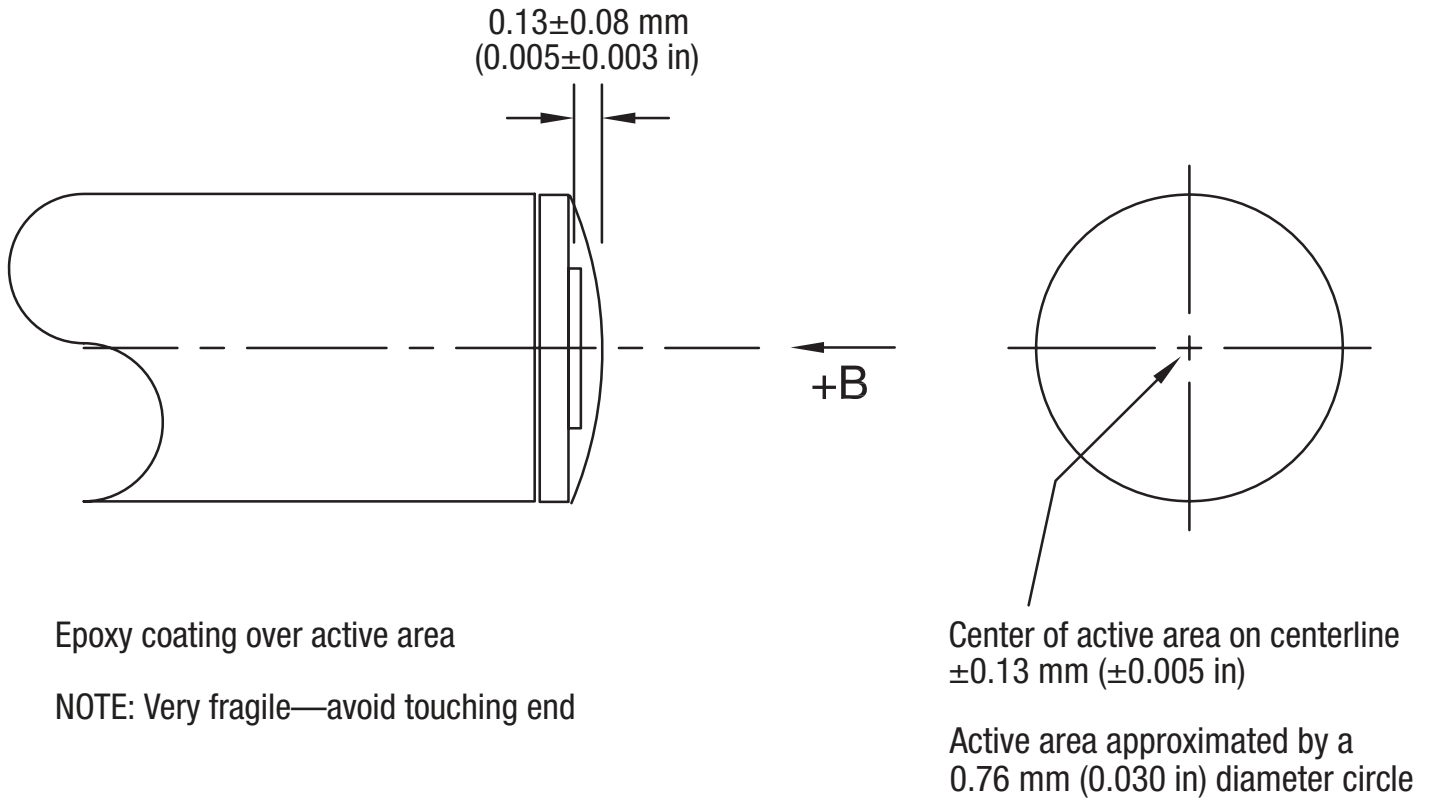


Active area: MMA/HMMA-08XX

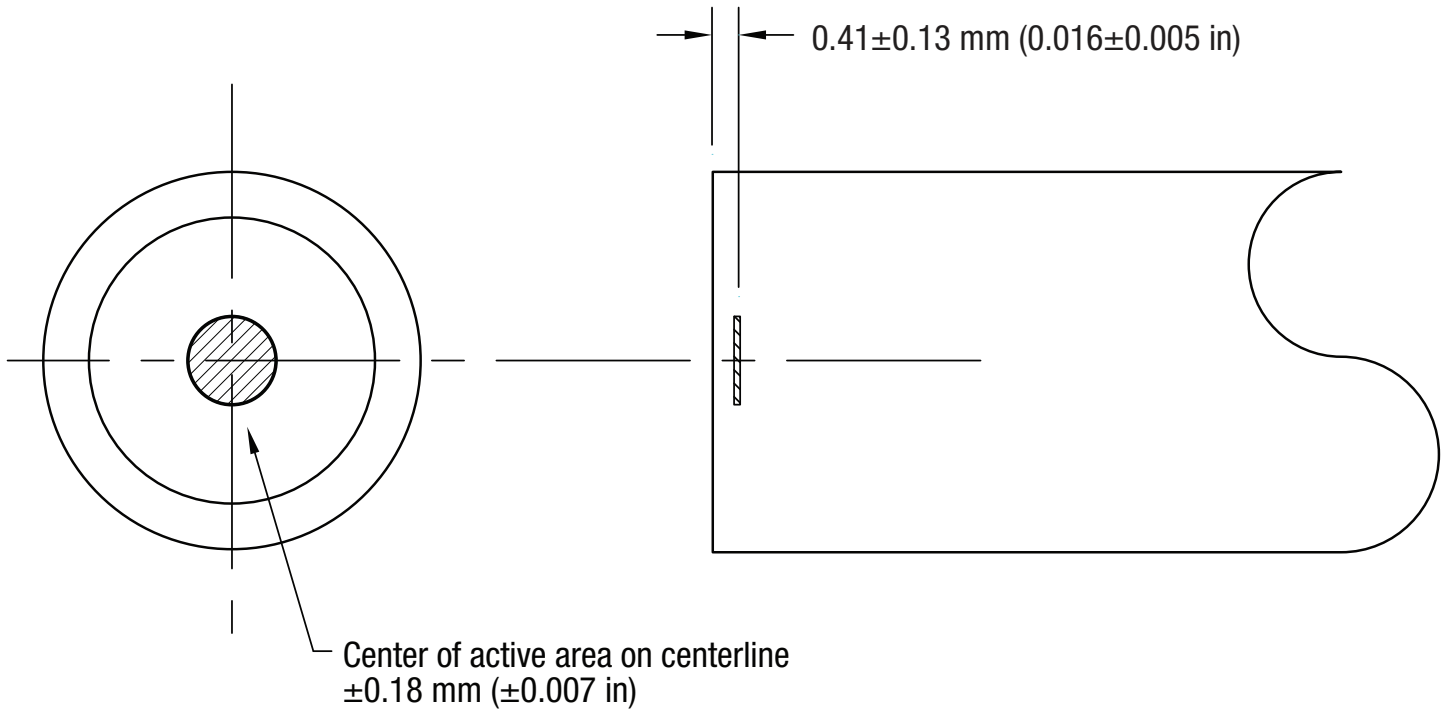


Active area approximated by a 0.76 mm
(0.030 in) diameter circle

Active area: MMA/HMMA-18XX

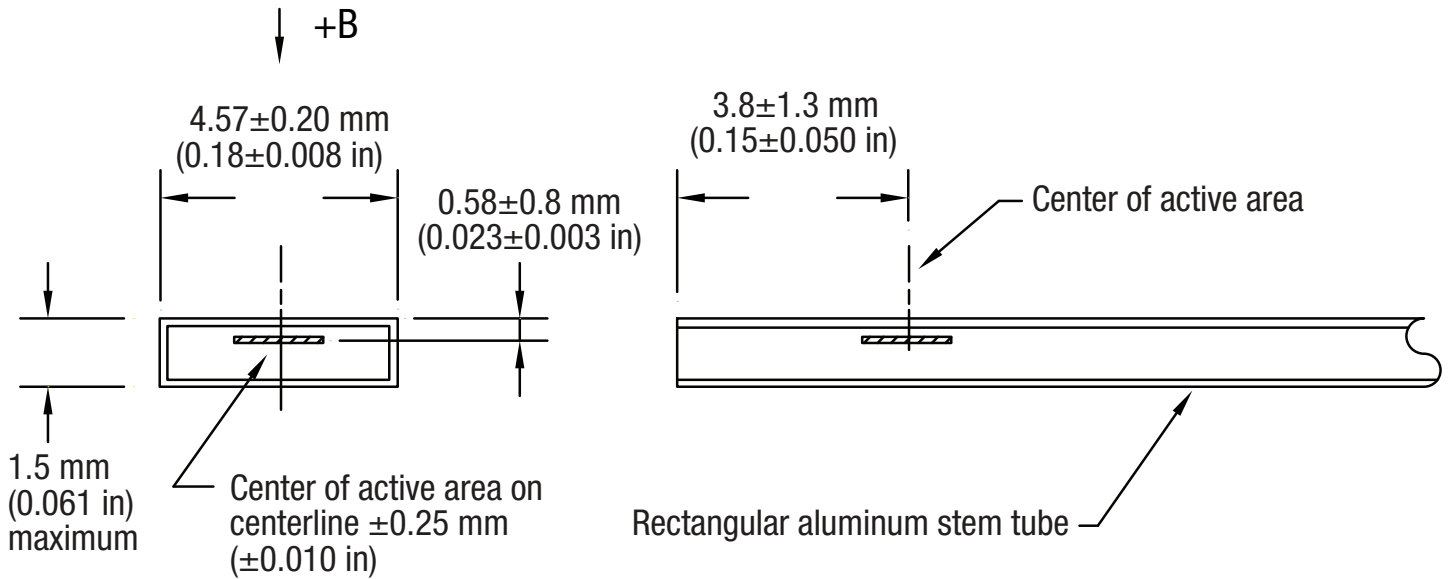


Active area: MNA/HMNA-19XX



Active area approximated by a
0.76 mm (0.030 in) diameter circle

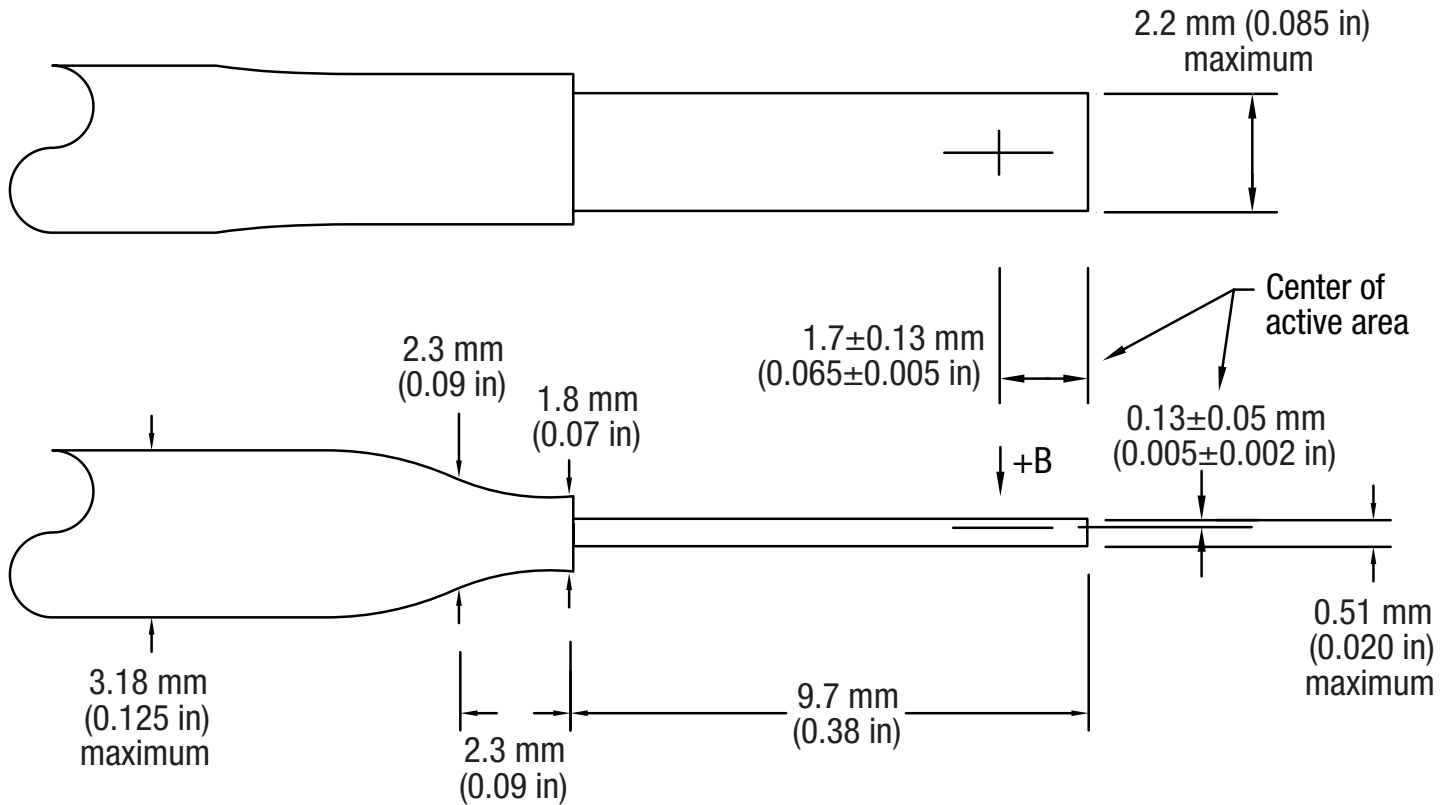
Active area: MMA/HMMA-25XX



Maximum angle between active area and external tube flat surface is 2.5°

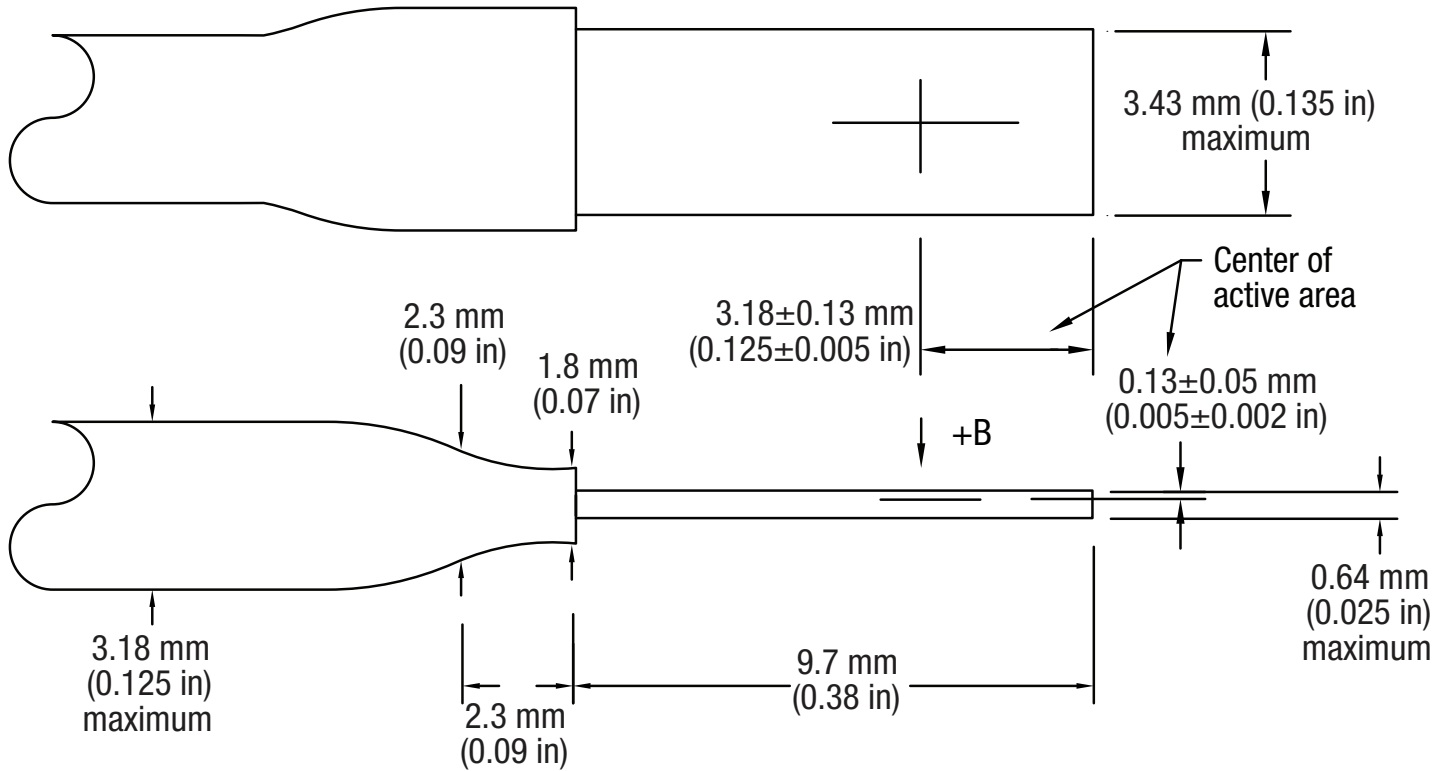
Active area approximated by a 1.02 mm (0.040 in) diameter circle

Active area: MMT/HMMT-6JXX



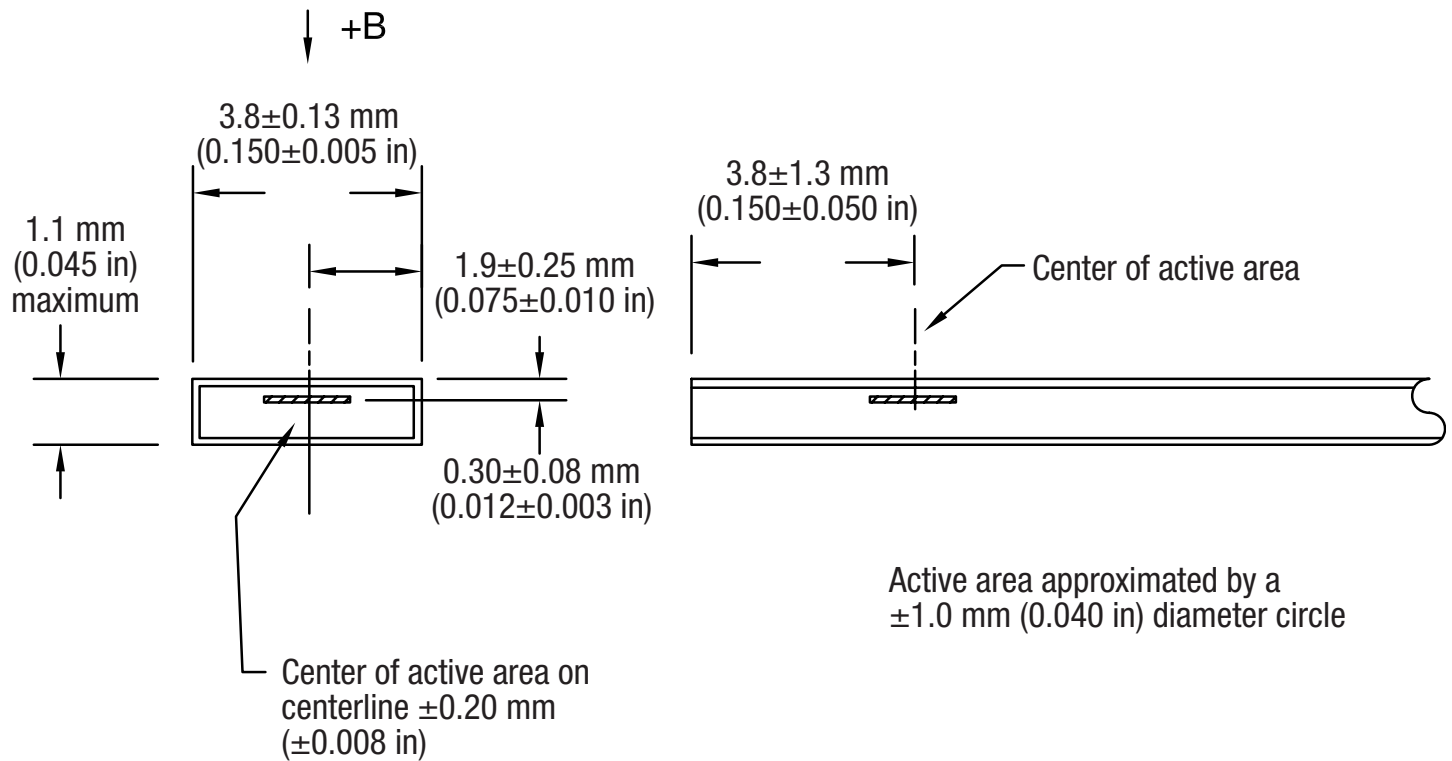
Active area approximated
by a 0.76 mm (0.030 in)
diameter circle

Active area: MFT/HMFT-2903-XX

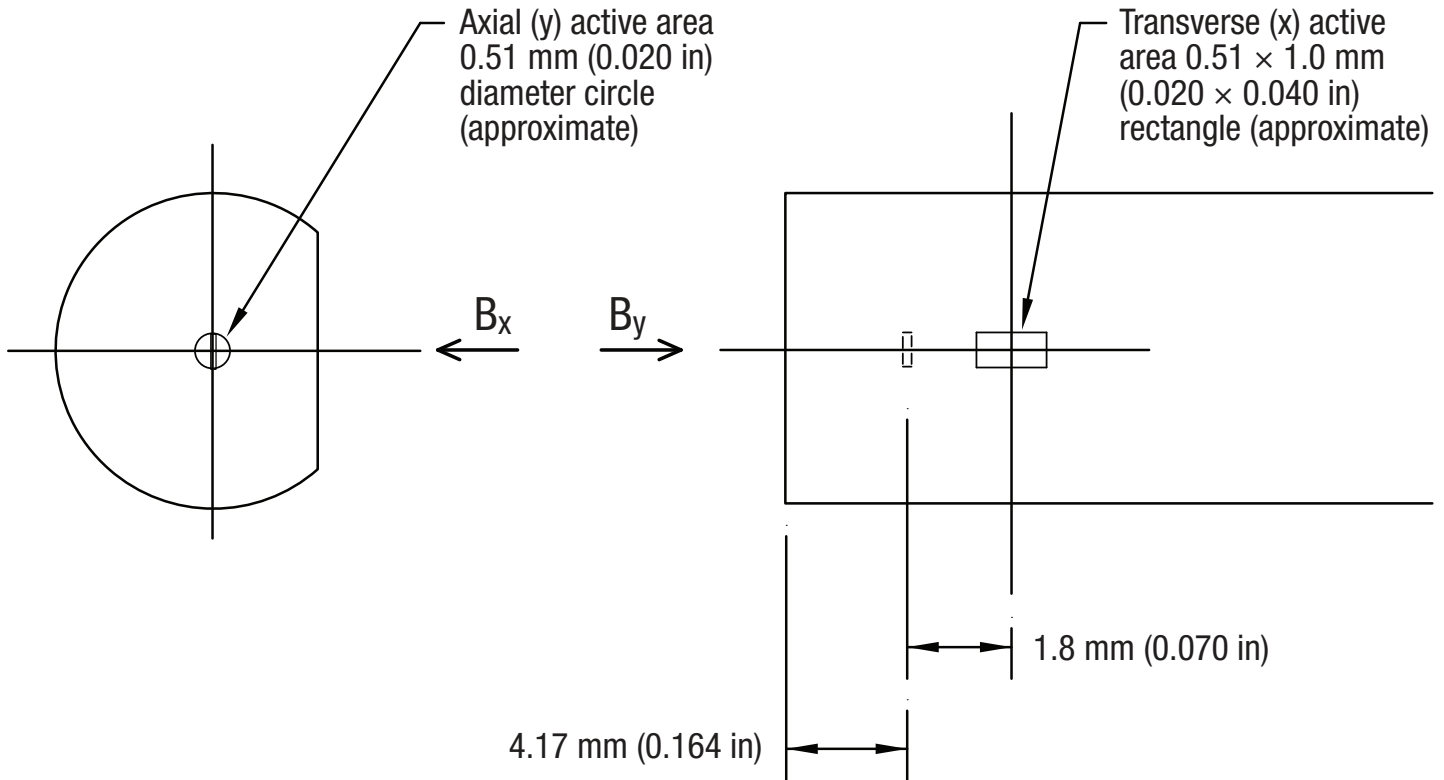


Active area approximated
by a 1.02 mm (0.040 in)
diameter circle

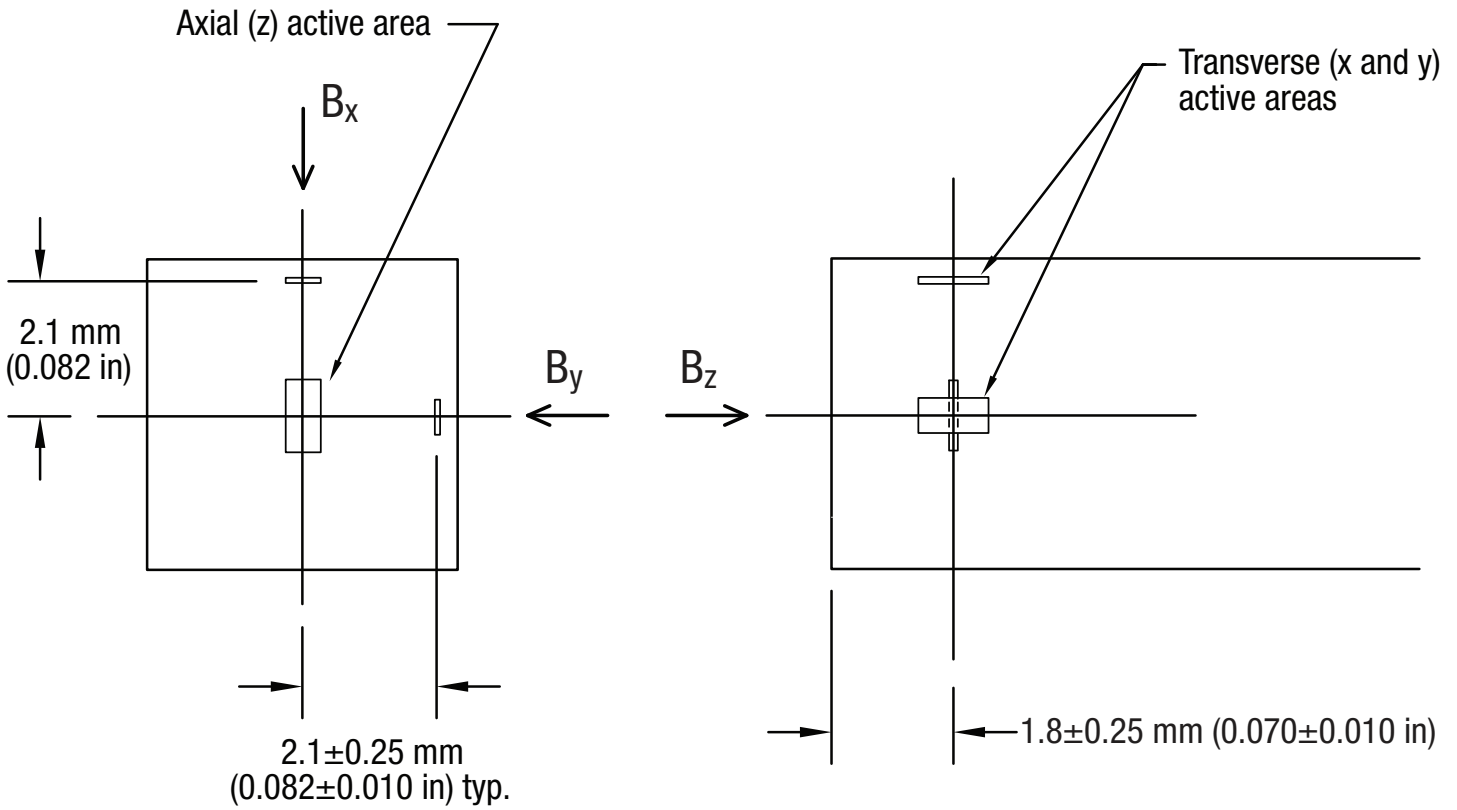
Active area: MFT/3E03-XX



Active area: MNT/HMNT-4EXX



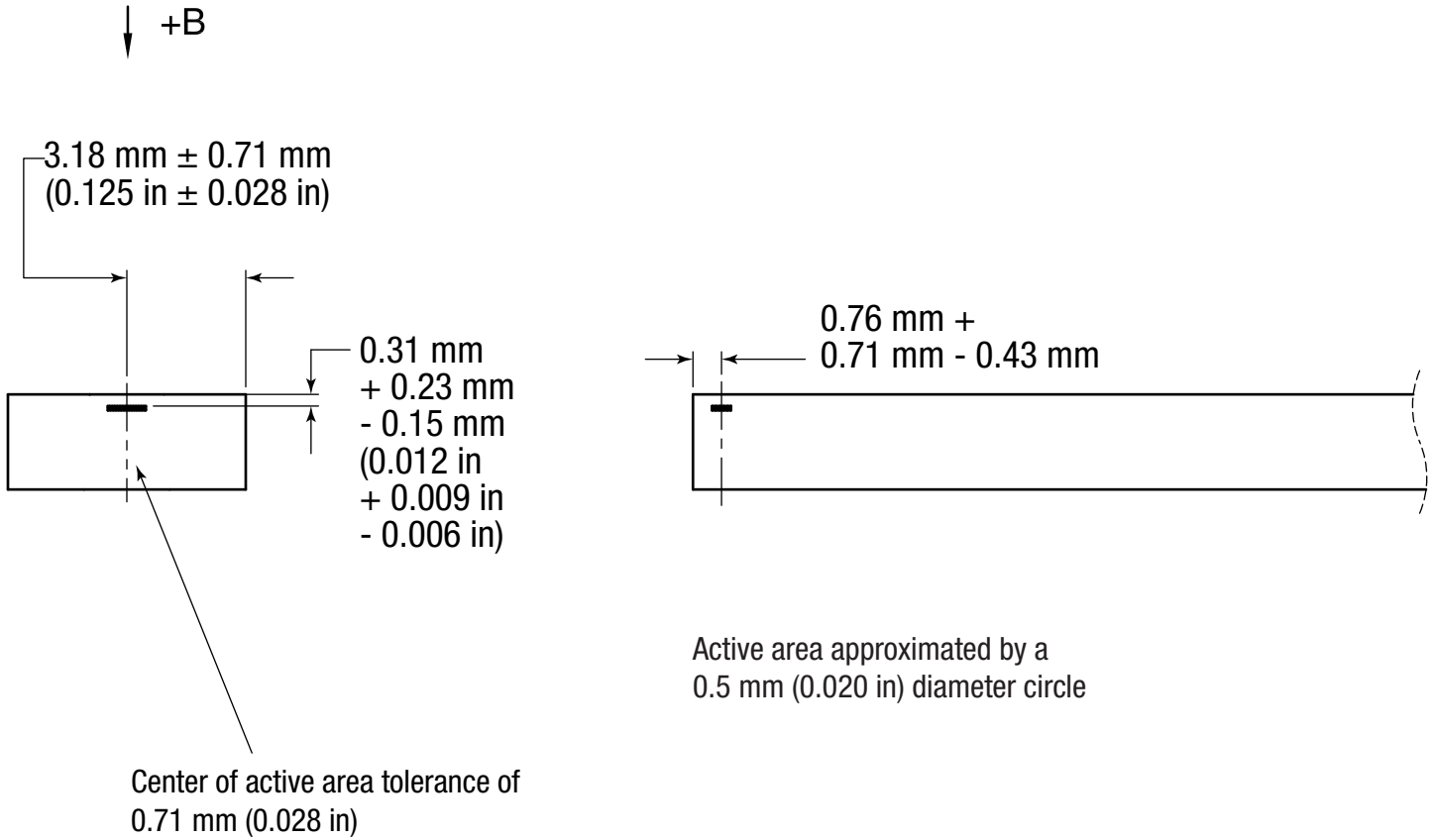
Active area: 2-axis



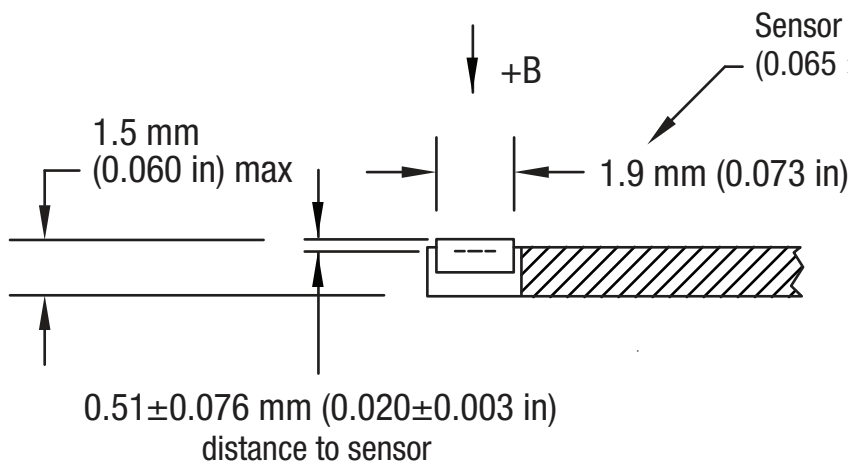
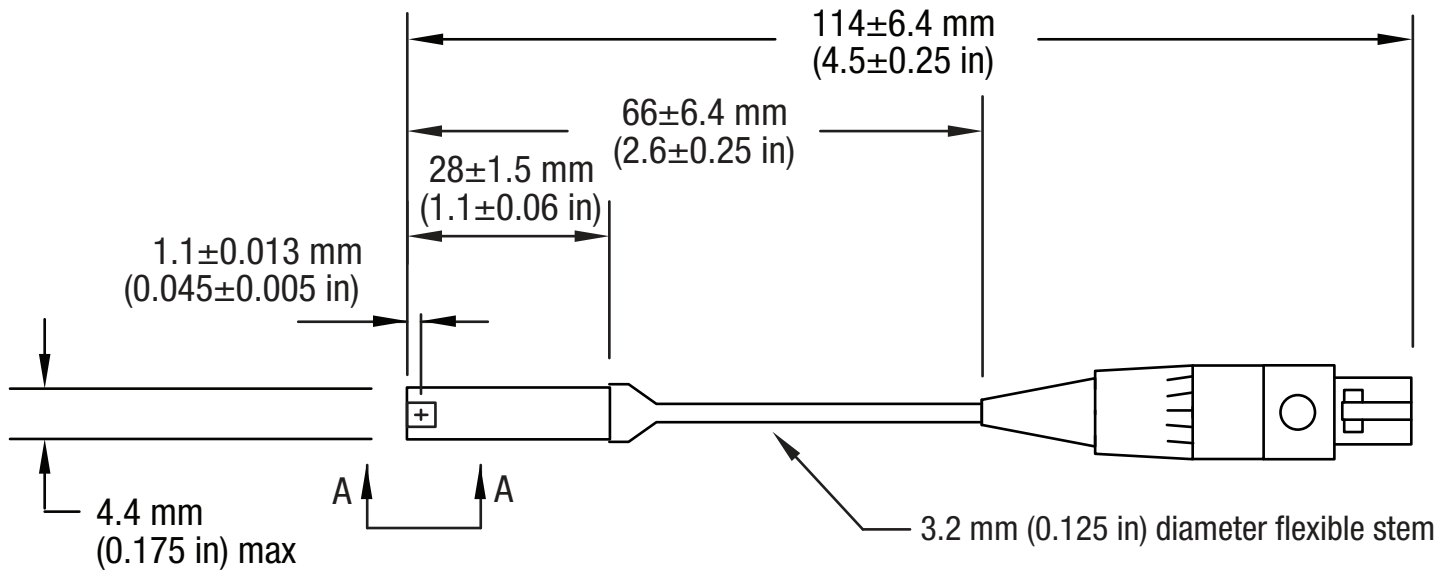
NOTE: All active areas are approximated by a 0.51×1.0 mm (0.020×0.040 in) rectangle.

Each active area is physically perpendicular to the other within $\pm 0.5^\circ$.

Active area: 3-axis

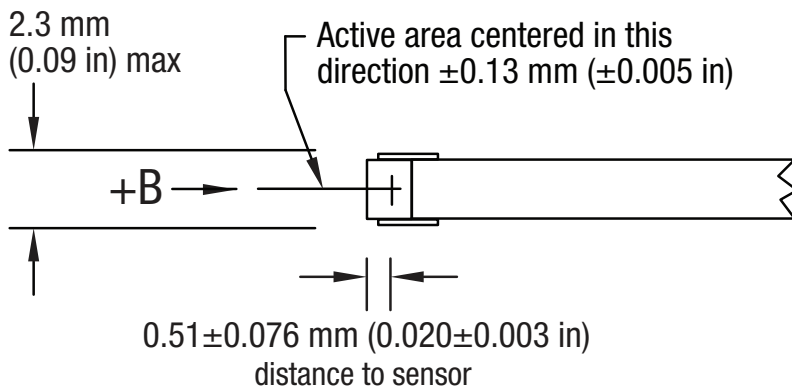
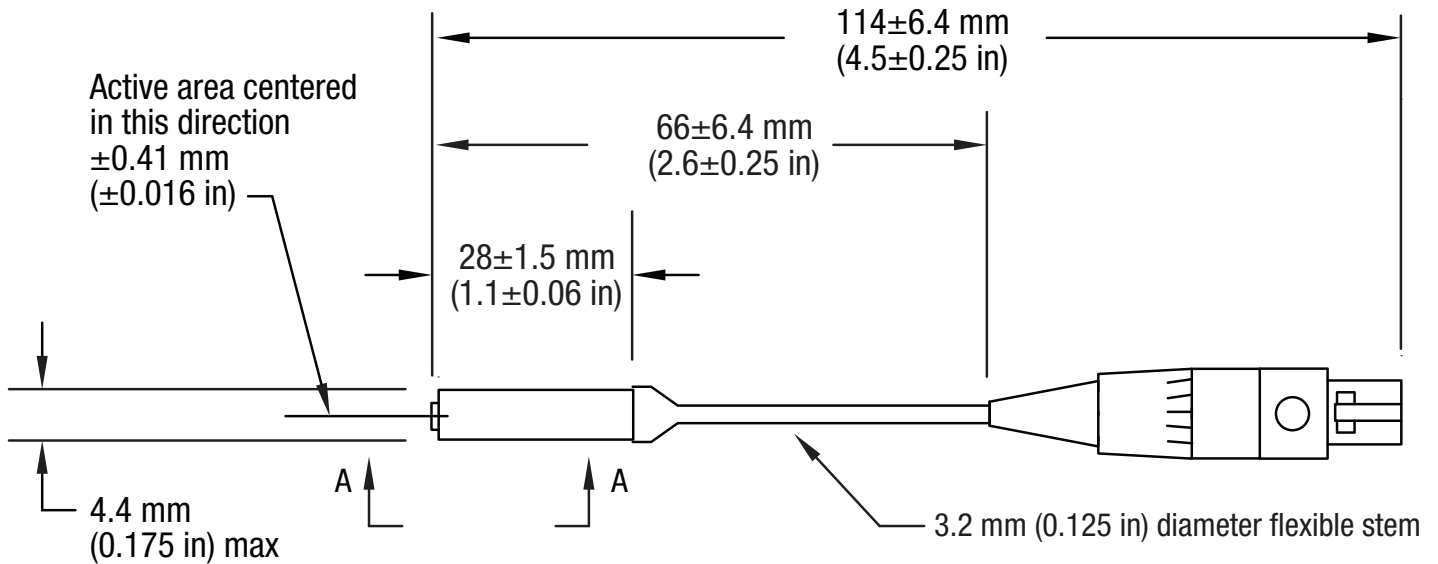


Active area: MNTAN-DQ02-TH



NOTE: Active area of sensor is approximately a 0.13 × 0.13 mm (0.005 × 0.005 in) square

Active area: MST-410



NOTE: Active area of sensor is approximately a 0.13×0.13 mm (0.005×0.005 in) square

Active area: MSA-410