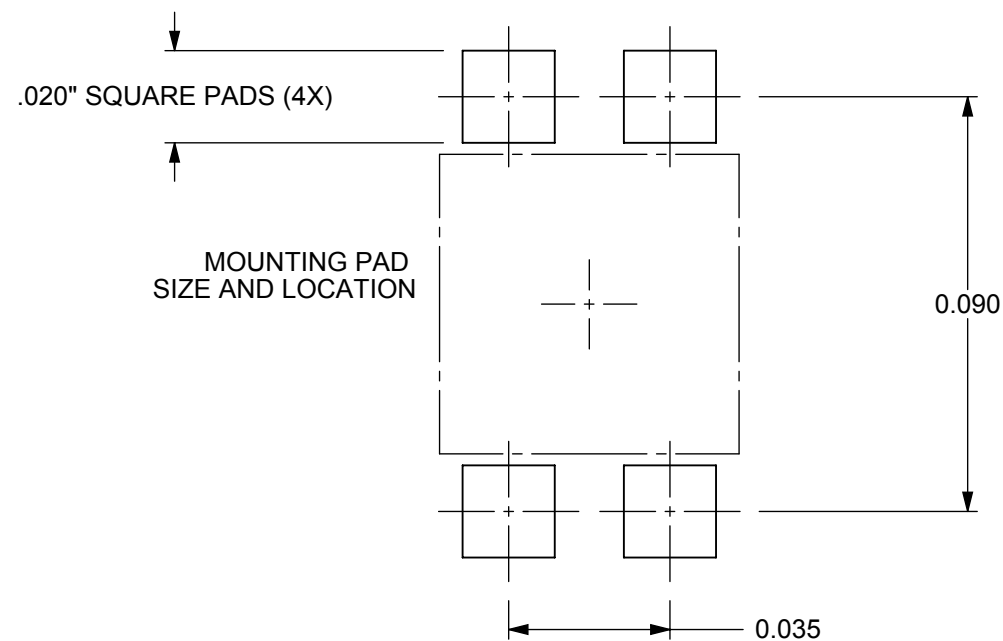
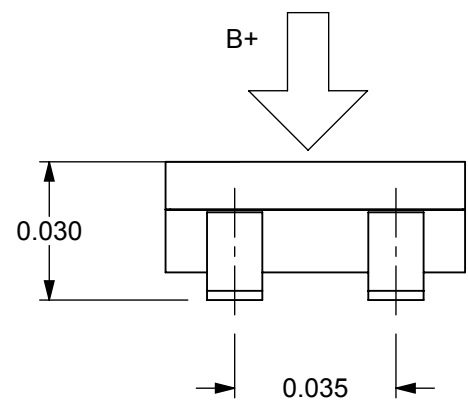
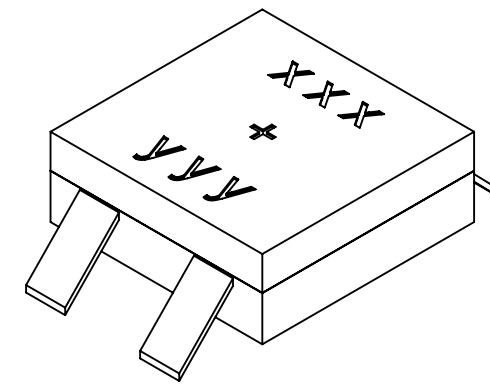
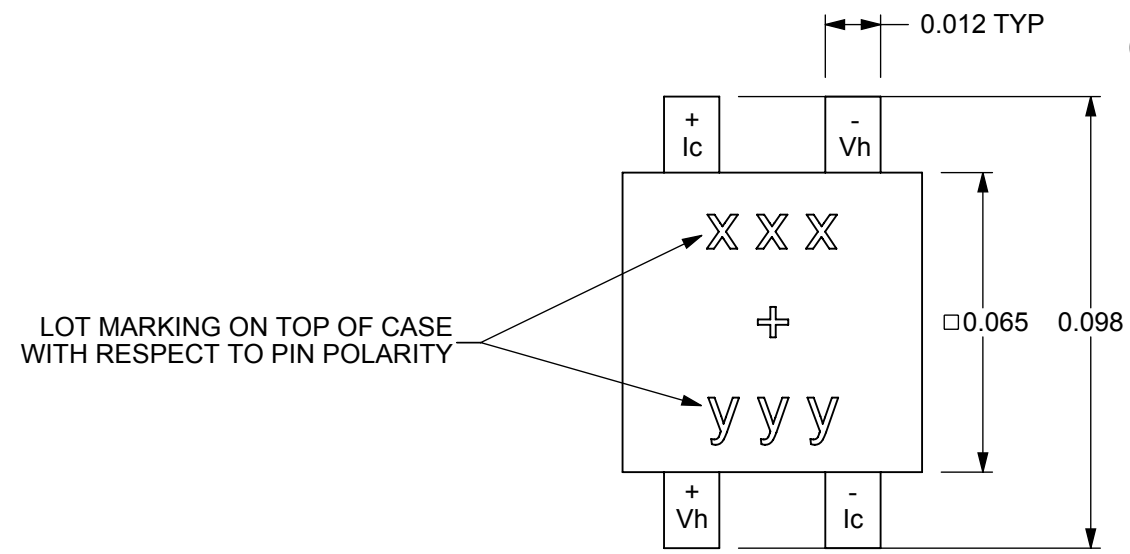


REVISIONS				
REV.	BY	DATE	DESCRIPTION	ECO#
A	STE	3/23/2010	INITIAL RELEASE	-



SPECIFICATIONS	
INPUT RESISTANCE	450 TO 900 OHMS
INPUT RESISTANCE	600 TO 2000 OHMS
NOMINAL CONTROL CURRENT	1mA
MAX. CONTINUOUS CURRENT	10mA (IN 25°C STATIC AIR)
MAGNETIC SENSITIVITY (Ic=1mA)	11 TO 28 mV/kG
LINEARITY ERROR (SENS. vs FIELD)	2% TO 10kG (MAX.)
ZERO FIELD OFFSET (Ic=1mA)	±2.8 mV (MAX.)
OPERATING TEMPERATURE	-40 TO +125 °C
TEMP. COEFFICIENT (SENSITIVITY)	-0.06 %/°C
TEMP. COEFFICIENT (RESISTANCE)	0.3 %/°C

LAKE SHORE CRYOTRONICS (LSCI) PROPRIETARY. NOT TO BE COPIED, USED, OR DISCLOSED WITHOUT PRIOR WRITTEN PERMISSION BY LSCI AND SHALL BE RETURNED UPON REQUEST. MODELED IN SOLIDWORKS. SOLIDWORKS FILE (.SLDPRT) AVAILABLE FOR USE AS A CONSTRUCTION AID UPON REQUEST.

DRAWN BY: STE DATE: 3/23/2010

CHECKED BY: DATE:

APPROVED BY: TBM DATE: 3/23/2010



UNLESS OTHERWISE SPECIFIED: ALL DIMENSIONS ARE INCHES AND APPLY AFTER ANY FINISHES.

1 PLACE: ±.03 4 PLACES: ±.0005

2 PLACES: ±.01 FRACTIONS: ± 1/16

3 PLACES: ±.005 ANGLES: ± 1°

TYPE: ASSY FILE: 261-003

PART NUMBER: 261-003

SIZE: B SCALE: 24:1 PAGE: 1 OF 1

DESCRIPTION: HGT-2101 SURFACE MOUNT HALL GENERATOR

DRAWING NUMBER: 023-10-00 REV: A