

PROJECT: labs_ch202_fltflg				TITLE			
OUTLINE DRAWING				LAB COLD HEAD ASSEMBLY			
CH-202FF FLAT FLANGE				Sumitomo (SHI) CRYOGENICS OF AMERICA, INC.			
NO.	267572D-C			SHEET	1	OF	2

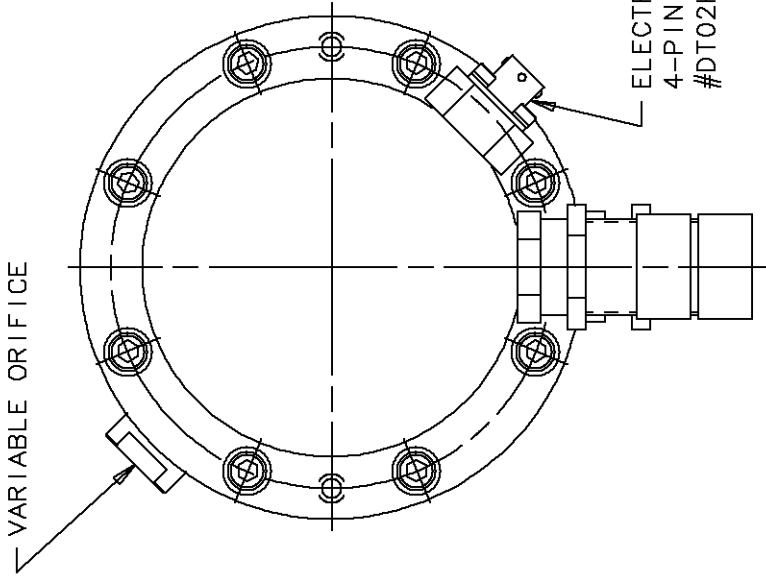
PROPRIETARY NOTICE: THIS DOCUMENT IS THE PROPERTY OF SUMITOMO (SHI) CRYOGENICS OF AMERICA, INC., AND SHALL NOT, WITHOUT THE EXPRESS WRITTEN PERMISSION OF SCAI, BE REPRODUCED OR COPIED IN WHOLE OR IN PART BY ANY PERSON OUTSIDE OF SCAI OR, IF LOANED BY SCAI TO SUCH PERSON, SHALL NOT BE USED FOR FURNISHING INFORMATION TO ANY THIRD PARTY OR FOR ANY PURPOSE OTHER THAN THAT FOR WHICH IT IS LOANED.

FORM NO. DD102089-A Rev. B (3/00)

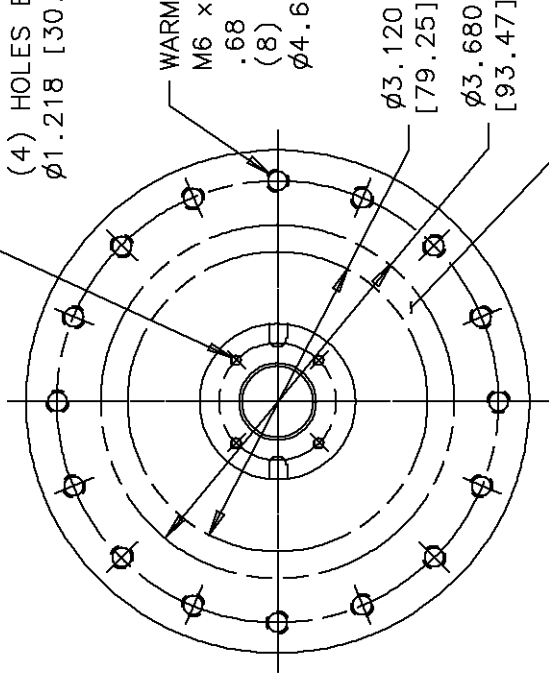
1st STAGE HEAT STATION  
MOUNTING HOLES  
5-40UNC-2B x .343 [8.71 mm] DP.  
(4) HOLES EQ. SPACED ON A  
Ø1.218 [30.94 mm] B.C.

WARM FLANGE MOUNTING HOLES  
M6 x 1.0-6H THD. x  
.68 [17.3 mm] DP.  
(8) HOLES EQ. SPACED ON A  
Ø4.600 [116.84 mm] B.C.

SUGGESTED AREA OF O-RING  
SEALING SURFACE ON FACE  
OF WARM FLANGE WITH  
32 FINISH



VIEW Y-Y



VIEW Z-Z

ELECTRICAL CONNECTOR  
4-PIN, DETORONICS  
#DT02H-8-4PN

TITLE

OUTLINE DRAWING  
LAB COLD HEAD ASSEMBLY  
CH-202FF FLAT FLANGE

REV. A



NO. 267572D-C  
SHEET 2 OF 2

REV.	CRSP NO.	DATE	BY	MFG.	QUAL.	RGS	RBS	ENGR.
	21	OCT 08	JPK	YB				

PROPRIETARY NOTICE: THIS DOCUMENT IS THE PROPERTY OF SUMITOMO (SHI) CRYOGENICS OF AMERICA, INC., AND SHALL NOT, WITHOUT THE EXPRESS WRITTEN PERMISSION OF SCAI, BE REPRODUCED OR COPIED IN WHOLE OR IN PART BY ANY PERSON OUTSIDE OF SCAI OR, IF LOANED BY SCAI TO SUCH PERSON, SHALL NOT BE USED FOR FURNISHING INFORMATION TO ANY THIRD PARTY OR FOR ANY PURPOSE OTHER THAN THAT FOR WHICH IT IS LOANED.  
FORM NO. DD102089-A Rev. B (3/00)