



Features

- 25 kOe (2.5 T) vertical field superconducting magnet
- High stability operation from 2 K to 400 K
- Active cryogenic control of the cold head, magnet stage, and radiation shield
- Reduces potential for sample condensation by allowing sample to remain at room temperature while the system cools to 2 K
- Measurements from DC to 67 GHz
- Accommodates up to 51 mm (2 in) diameter wafers
- Configurable with up to four micro-manipulated probe arms
- Probe arms with 3-axis adjustments and $\pm 5^\circ$ theta planarization
- Cables, shields, and guards minimize electrical noise and thermal radiation losses
- High resolution optical system
- Non-magnetic vibration isolation table
- Options and accessories for customization to specific research needs

Model VFTTP4 Probe Station

Introduction

The Model VFTTP4 is a versatile cryogenic micro-manipulated probe station used for non-destructive magnetic testing of devices on full and partial wafers up to 51 mm (2 in) in diameter. The VFTTP4 is a platform for measurement of magneto-transport, electrical, electro-optical, parametric, high Z, DC, RF, and microwave properties of materials and test devices. Nanoscale electronics, quantum wires and dots, semiconductors, superconductors, and spintronic devices are typical materials measured in a VFTTP4. A wide selection of probes, cables, sample holders, and options makes it possible to configure the VFTTP4 to meet your specific measurement applications.

Mounted on a non-magnetic vibration isolation table, the VFTTP4 is equipped with a 25 kOe (2.5 T) vertical field superconducting magnet. The VFTTP4 operates over a temperature range of 4.2 K to 400 K. With options, the base temperature can be extended down to 2 K. The probe station provides efficient temperature operation and control with a continuous refrigeration system using either helium or nitrogen. Vapor-cooled shielding optimizes efficiency and intercepts blackbody radiation before it reaches the sample. A wire wound control heater on the cold head minimizes temperature gradients across the sample and, along with the magnet stage and radiation shield heaters, provides the probe station with fast thermal response.

The VFTTP4 is user-configured with up to four ultra-stable micro-manipulated stages, each providing precise 3-axis control of the probe position to accurately land the probe tip on device features. Proprietary probe tips in a variety of sizes and materials minimize thermal mass and optimize electrical contacts to the device under test.

For increased versatility, VFTTP4 options include a 2 K base temperature stage, LN₂ Dewar kit, higher magnification monoscopes, vacuum turbo pumping system, and fiber optic probe arm modification.

Headquarters and Sales

Lake Shore Cryotronics, Inc.

575 McCorkle Boulevard ■ Westerville, Ohio 43082

Phone 614-891-2244 ■ Fax 614-818-1600

info@lakeshore.com www.lakeshore.com

All specifications subject to change. Rev 9/18/2007

Applications

- Magneto-transport measurements
- Electrical and electro-optical measurements over a wide temperature range
- RF and microwave
- Parametric testing
- Shielded/guarded/low noise characterization
- High Z
- Non-destructive, full wafer testing

Materials

- Nanoscale electronics (carbon nanotube transistors, single electron transistors, molecular electronics, nanowires, etc.)
- Quantum wires and dots, quantum tunneling
- Single electron tunneling (Coulomb blockade)
- Superconductors
- Spintronic devices
- Basic semiconductor devices including organics, LEDs, and dilute magnetic semiconductors

Specifications

Magnetic Field

Maximum field	25 kOe (2.5 T)
---------------	----------------

Temperature

Operating temperature range—all probe types	2 K to 400 K
Temperature control (heater)	
Cold head stage	50 W
Magnet stage	100 W
Two radiation shields	100 W and 50 W
Probe arm	Measurement only

Probe Arm Adjustments

Travel	
X axis	51 mm (2 in)
Y axis	25 mm (1 in)
Z axis	18 mm (0.7 in)
Translation resolution	
X axis	20 μ m
Y and Z axes	10 μ m
Theta planarization*	$\pm 5^\circ$

*Included with microwave probes

Frequency Range

ZN50 DC/RF probe frequency range	
Tungsten with cryogenic coax cable	0 to 50 MHz*
Tungsten with semirigid coax cable	0 to 1 GHz* [†]
Paliney 7 with cryogenic coax cable	0 to 50 MHz*
Paliney 7 with semirigid coax cable	0 to 1 GHz* [†]
BeCu with cryogenic coax cable	0 to 50 MHz*
BeCu with semirigid coax cable	0 to 1 GHz* [†]
GSG microwave probe frequency range	
Low frequency with K connector	0 to 40 GHz*
Mid frequency with 2.4 mm connector	0 to 50 GHz*
High Frequency with 1.8 mm connector	0 to 67 GHz*

*Selectable equipment

[†] S21 > -10 dB up to 1 GHz, except for a (-40 dB) spike between 400 MHz and 800 MHz depending on probe model and placement; S11 < -3 dB up to 1 GHz

Optical

Optical viewport—located on top lids	Ø54 mm (2.1 in) outer window and Ø51 mm (2 in) inner window
Outer, clear fused quartz	99% IR transmittance
Inner	IR absorbing with narrow band visible light transmittance
Optical resolution—monoscope	
7:1 zoom	5 µm
12.5:1 zoom	4 µm*
16:1 zoom	3 µm*

*Selectable equipment

Sample Holder (Chuck)

Maximum sample size—overall	Up to Ø51 mm (2 in)
SH-1.25-G, Grounded chuck	Up to Ø31.8 mm (1.25 in) and 400 K
SH-1.25-I, Isolated chuck	Up to Ø31.8 mm (1.25 in) and 400 K*
SH-1.25-C, Coaxial chuck	Up to Ø31.8 mm (1.25 in) and 400 K*
SH-1.25-T, Triaxial chuck	Up to Ø31.8 mm (1.25 in) and 400 K*
SH-2.00-G, Grounded chuck	Up to Ø51 mm (2 in) and 400 K*
SH-2.00-C, Coaxial chuck	Up to Ø51 mm (2 in) and 400 K*
SH-2.00-T, Triaxial chuck	Up to Ø51 mm (2 in) and 400 K*

*Selectable equipment

Standard Equipment

Superconducting magnet	25 kOe (2.5 T), vertical field
Superconducting magnet power supply	Lake Shore Model 625
Output type	Bipolar, 4-quadrant, DC current source
Current	±60 A
Voltage	±5 V
Open cycle multi-stage refrigerator	4.2 K to 400 K
Cold head stage temperature sensor	Lake Shore Model CX-1030-SD-HT-4M calibrated Cernox™ RTD
Cold head stage heater	50 W
Magnet stage temperature sensor	Lake Shore Model CX-1030-SD-HT-4M calibrated Cernox™ RTD
Magnet stage heater	100 W
Cooled radiation shield and cooled IR-absorbing window above the sample	
Two radiation shield temperature sensors	Lake Shore Model DT-670C-CU silicon diode
Two radiation shield heaters	100 W and 50 W
Removable top lid with viewport	Ø51 mm (2 in) window
Temperature controllers	One Lake Shore Model 340 with 3462 expansion card, one Model 332S, and one Model 142 200 W (2 channels, 100 W each) power supply (independent regulation of cold head stage, magnet stage, radiation shield, and probe arm temperature monitoring)
Vacuum chamber	
Diameter	25.4 cm (10 in)
Removable top lid with clear fused quartz viewport	Ø54 mm (2.1 in) window
Probe ports	4 equally spaced surround the sample thermal radiation shield
Machined aluminum base plate	53.3 cm ² (21 in ²)
Vibration isolation table	Low vibration, non-magnetic stand, PVC construction with sand weighted legs and brass fittings
Four XYZ precision micro-manipulated probing stages	
Probe arms, thermal radiation shields, stainless steel welded bellows, and feedthrough ports	
One probe mount includes a platinum temperature sensor installed and wired to a 6-pin feedthrough	
Grounded sample holder	SH-1.25-G, accommodates up to a Ø31.8 mm (1.25 in) sample with a Ø25.4 mm (1 in) probe area
Optics	
Zoom 70 monoscope	7:1 zoom with 5 µm resolution
Color CCD camera	
Swing arm	Optics can be manipulated to view any part of the sample or wafer, and can be retracted and swung away to allow access to the top of the vacuum chamber for sample exchange
Video monitor	High resolution, 17-inch
Sample illumination	Coaxial via fiber optic or ring light from an adjustable light source and power supply (must specify sample illumination at time of order) NOTE: Coaxial illumination is recommended for highly reflective materials
High efficiency helium transfer line with foot valve for precise flow regulation	
Basic tools, spares, and cleaning kit	

Probes, Probe Tips, and Cables — Required User Configurable Equipment

ZN50 DC/RF PROBES

- Ideal for: DC biasing, low/high frequency measurements, low noise shielded, and low-leakage guarded measurement
- ZN50 probe base incorporates a pair of copper braids that connect to the sample stage to dynamically cool/heat the probe to the sample temperature
- SMA connector mounted directly to a replaceable alumina ceramic blade with a 50 Ω stripline routed to the probe contact

We understand that today's researcher requires flexibility. Our wide selection of probes, cables, sample holders, and options make it possible to configure a probe station to meet your specific measurement applications.

Part number (probe body)	Description
ZN50-55I	50 Ω stripline probe body mount (Each probe body mount requires a ceramic blade—selectable below)

Part number (ceramic blade)	Tip material	Maximum frequency (GHz)	Tip radius (μm)
ZN50R-03-W	Tungsten	1*	3
ZN50R-10-W			10
ZN50R-25-W			25
ZN50R-03-P7	Paliney 7		3
ZN50R-10-P7			10
ZN50R-25-P7			25
ZN50R-03-BeCu	BeCu		3
ZN50R-10-BeCu			10
ZN50R-25-BeCu			25
ZN50R-100-BeCu			100
ZN50R-200-BeCu			200

*Maximum frequency 50 MHz with Z50-CU-SS-3650-G or Z50-CU-SS-3650-T cable; maximum frequency 1 GHz with K-085-K cable

ZN50 DC/RF CABLES

Part number	Cable type	Connector type	Feedthrough type	Measurement configuration	Maximum frequency	Maximum temperature
Z50-CU-SS-3650-G	Ultra-miniature cryogenic coax	SMA	BNC	Shielded	50 MHz	400 K
Z50-CU-SS-3650-T	Ultra-miniature cryogenic coax	SMA	2-lug triax	Low leakage	50 MHz	400 K
K-085-K-09	Stainless semirigid microwave coax	K	Loss-less compression seal	High frequency	1 GHz*	400 K

* S21 > -10 dB up to 1 GHz, except for a (-40 dB) spike between 400 MHz and 800 MHz depending on probe model and placement; S11 < -3 dB up to 1 GHz

GSG MICROWAVE PROBES

- Coplanar waveguide probe with ground-signal-ground (GSG) contact geometry
- User-specified pitch (spacing)
- Optimized low thermal conductivity coax leading to low thermal conductivity tips
- Include a copper braid assembly to cool the probe to near sample temperature
- Limited to 400 K
- Separate theta planarization module with $\pm 5^\circ$ rotation mechanism is also provided

Part number	Connector type	Maximum frequency (GHz)	Pitch (μm)
GSG-050-40A-55I-DNM	K	40	50
GSG-100-40A-55I-DNM			100
GSG-150-40A-55I-DNM			150
GSG-200-40A-55I-DNM			200
GSG-250-40A-55I-DNM			250
GSG-050-50A-55I-DNM	2.4 mm	50	50
GSG-100-50A-55I-DNM			100
GSG-150-50A-55I-DNM			150
GSG-200-50A-55I-DNM			200
GSG-250-50A-55I-DNM			250
GSG-050-67A-55I-DNM	1.8 mm	67	50
GSG-100-67A-55I-DNM			100
GSG-150-67A-55I-DNM			150
GSG-200-67A-55I-DNM			200
GSG-250-67A-55I-DNM			250

GSG MICROWAVE CABLES

- Loss-less compression seal
- Semirigid with stainless steel outer jacket, silver plated BeCu inner conductor, and Teflon[®] dielectric

Part number	Cable type	Feedthrough type	Maximum temperature	Connector type	Maximum frequency
K-085-K-09	Stainless semirigid microwave coax	Loss-less compression seal	400 K	K	40 GHz
2.4-085-2.4-09				2.4 mm	50 GHz
1.8-085-1.85-09				1.8 mm	67 GHz

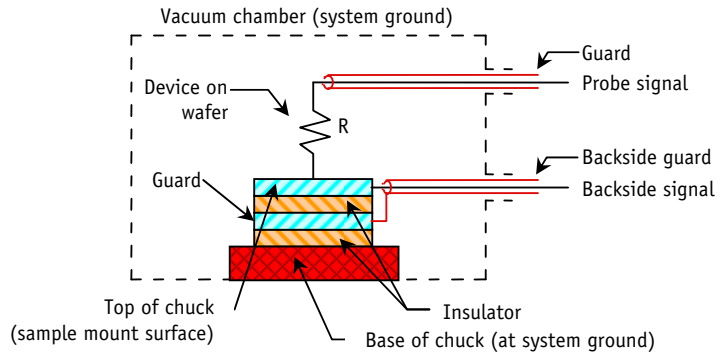
SAMPLE HOLDERS (CHUCKS)

Typical sample holder configuration characterized by:

- Leakage resistance between
 - Top surface and guard
 - Guard and ground
- Capacitance between
 - Top surface and guard
 - Guard and ground

Types of sample holders

- Grounded sample holder—sample mount surface at system ground
- Isolated sample holder—backside contact not needed; sample mount surface is electrically non-conductive and isolated from ground
- Coaxial sample holder—backside contact can be made; sample mount surface is isolated from ground
- Triaxial sample holder—guarded backside contact can be made; sample mount surface has guarded isolation from ground



Part number	Measurement configuration	Separate feedthrough required	Maximum sample (diameter)	Maximum temperature	
SH-1.25-G	Grounded	No	Ø32 mm (1.25 in)	400 K	
SH-1.25-I	Isolated				
SH-1.25-C	Coaxial				Yes*
SH-1.25-T	Triaxial				Yes**
SH-2.00-G	Grounded	No	Ø51 mm (2 in)		
SH-2.00-C	Coaxial	Yes*			
SH-2.00-T	Triaxial	Yes**			

*Coaxial sample holders require one FT-BNC or FT-TRIAX feedthrough as listed below

**Triaxial sample holders require one FT-TRIAX feedthrough as listed below

Part Number	Description
FT-BNC	Coaxial feedthrough and coax cable, installed and wired
FT-TRIAX	Triaxial feedthrough and coax cable, installed and wired

Equipment Options

Part Number	Description
PS-FOA	Fiber optic probe arm modification. Transmit or receive light or IR/UV radiation. Fiber optic terminated with SMA connector or compression feedthrough. (Fiber optic wire not included. Fiber optic and probe cannot be used simultaneously.)
PS-Z12.5	12.5:1 zoom monoscope upgrade for 4 µm resolution NOTE: upgrade is not field-installable
PS-Z16	16:1 zoom monoscope upgrade for 3 µm resolution NOTE: upgrade is not field-installable
PS-2K	2.0 K base temperature stage pumping option-includes system modifications, stainless steel flex hose for pump connection, and Varian DS402 rotary pump (12.3 CFM at 60 Hz with oil mist eliminator on output [with oil return], and inlet oil demister)
PS-DPC	Automatic Dewar (gas) pressure controller, regulates Dewar liquid flow
PS-V81TP	Turbo pumping system—includes Varian V-81 Turbo Pump cart with DS 102 backing pump, vacuum gauging for high vacuum and fore line, controller, and adaptors (specify 110 V/60 Hz or 220 V/50 Hz)
PS-V81DP	Turbo pumping system—includes Varian V-81 Turbo Pump cart with oil free backing pump, vacuum gauging for high vacuum and fore line, controller, and adaptors (specify 110 V/60 Hz or 220 V/50 Hz)
PS-LN2	Nitrogen Dewar with stainless fittings, gauges, and adaptors; allows LN ₂ use with the LHe transfer line
PS-PLVI-40	Pump-line vibration isolator—includes NW-40 fittings, 1 m stainless steel bellows, clamps, and rings (placed between pump cart and system); requires one bag of cement

Equipment Options, continued

PS-TTVIS	Pneumatic tabletop vibration isolation system—compact pneumatic isolator with self-leveling (isolator resonance: vertical 3.2 Hz, horizontal 3.6 Hz; isolation efficiency at 10 Hz: vertical 90%, horizontal 96%; amplification at resonance: vertical 12 dB, horizontal 10 dB); requires 80 psi nitrogen or air
PS-OAC	Oil-less compressor for PS-TTVIS (only available in 110 V)
PA-SEN	Probe arm modification with platinum temperature sensor installed and wired to a 6-pin feedthrough
PA-VFTTP4	Probe arm and base for VFTTP4
MMS-VFTTP4	Micro-manipulated stage for VFTTP4
CS-5	Calibration substrate for GSG probes. Pad size: 50 μm^2 ; calibration type: SOLT (short-open-load-through), LRL (line-reflective-line), LRM (line-reflective-match); pitch range: 75 to 250 μm
CS-15	Calibration substrate for GSG probes. Pad size: 25 μm^2 ; calibration type: SOLT (short-open-load-through), LRL (line-reflective-line), LRM (line-reflective-match); pitch range: 40 to 150 μm

Lake Shore Cryotronics is a leading supplier of cryogenic, superconducting magnet-based, electromagnet-based, high vacuum, and load-lock probe stations. We offer a full line of standard probe stations to meet your research requirements.

Our standard line of probe stations includes:

Model TTP4

- Up to four micro-manipulated probe stages
- Temperature range capabilities from 3.2 K to 475 K
- Up to 51 mm (2 in) diameter wafer capabilities

Model TTP4-1.5K

- Up to four micro-manipulated probe stages
- Standard temperature range from 1.5 K to 475 K
- Up to 25 mm (1 in) diameter wafer capabilities

Model TTP6

- Up to six micro-manipulated probe stages
- Temperature range capabilities from 3.2 K to 475 K
- Up to 51 mm (2 in) diameter wafer capabilities

Model FWP6

- Up to six micro-manipulated probe stages
- Standard temperature range from 4.5 K to 475 K
- Up to 10.2 cm (4 in) diameter wafer capabilities

Model LLTTP6

- Load-lock — for fast sample exchange at any temperature
- Up to six micro-manipulated probe stages
- Standard temperature range from 10 K to 400 K
- Up to 51 mm (2 in) diameter wafer capabilities; up to 12.7 mm (0.5 in) with load-lock assembly

Model HFTTP4

- 1 T horizontal field split pair superconducting magnet
- Up to four micro-manipulated probe stages
- Temperature range capabilities from 2 K to 400 K with field on or off
- Up to 25 mm (1 in) diameter wafer capabilities

Model VFTTP4

- 2.5 T vertical field solenoid superconducting magnet
- Up to four micro-manipulated probe stages
- Temperature range capabilities from 2 K to 400 K with field on or off
- Up to 51 mm (2 in) diameter wafer capabilities

Model EMTTP4

- 0.55 T horizontal (in-plane field) electromagnet
- Up to four micro-manipulated probe stages
- Standard temperature range from 5 K to 475 K
- Up to 25.4 mm (1 in) diameter wafer capabilities

Model HVTP6

- High vacuum to 10^{-7} torr
- Up to six micro-manipulated probe stages
- Temperature range capabilities from 2 K to 475 K
- Up to 51 mm (2 in) diameter wafer capabilities