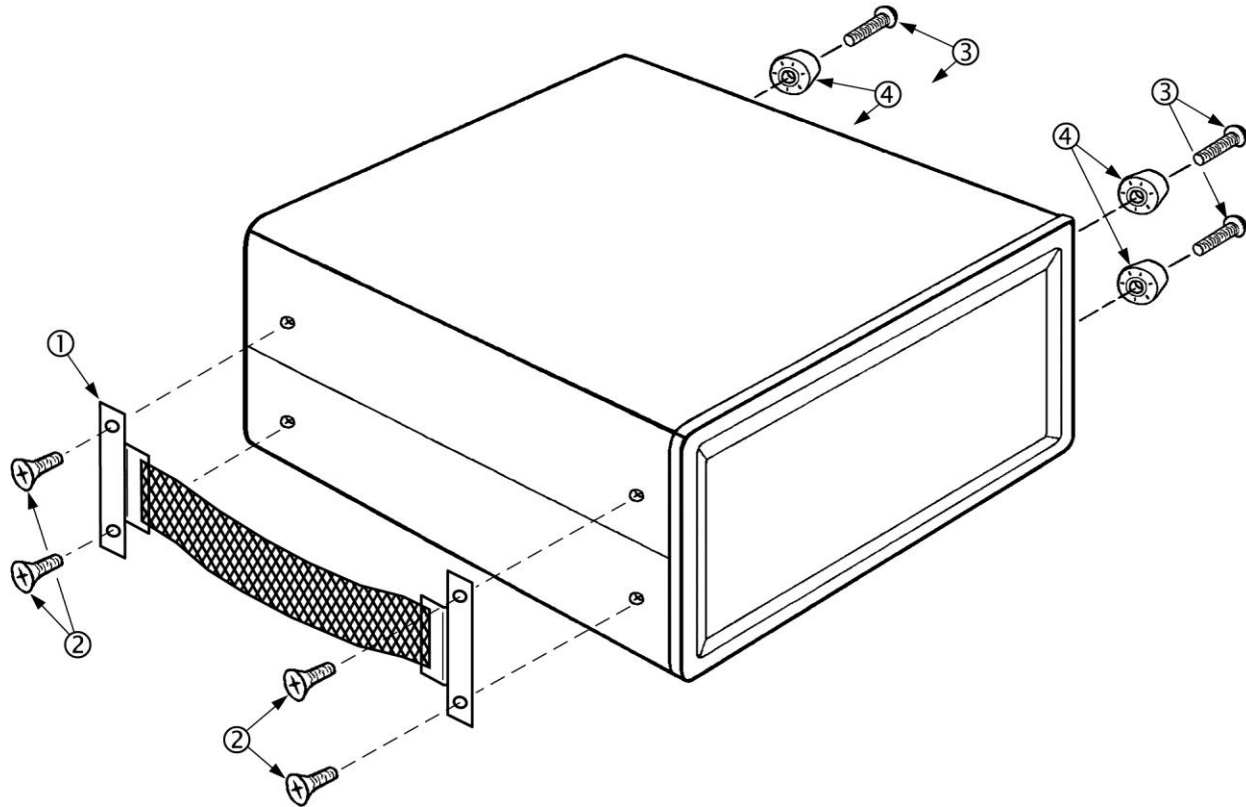


Instructions, 4040 Handle Carrying Kit Installation



Installation instructions for the Lake Shore 4040 side-mount handle carrying kit with feet.



Item	Description	P/N	Qty.
①	Handle assembly	107-429	1
②	Screw, 6-32×3/8, PH, FLHD, MS, SS	0-033	4
③	Screw, 6-32×1/2, PH, PAN, MS, SS	0-044	4
④	Foot, enclosure #6, Black	110-217	4

1. Use 5/64 in (2 mm) hex key to remove existing 6-32×1/4 black button-head screws from sides of instrument. (These screws are not used for re-assembly. However, should the handle kit ever be removed, the screws should be retained for reinstallation.)

NOTE: Mount handle and feet on the side that is most convenient for your application.

2. Use Phillips screwdriver to mount handle assembly (Item ①) to instrument using 4 screws (Item ②).
3. Use Phillips screwdriver to mount 4 feet (Item ④) to instrument using 4 screws (Item ③).

Form Number F081-00-00 Revision B — ©2014 Lake Shore Cryotronics, Inc. — 2 May 2014